



SUPERLITE BLOCK

An Oldcastle Company

SHAPES & SIZES DIRECTORY

Introduction	2
Fire Resistance	3
Control Joints	4
Control Joint Slot	5
Sound Reduction	6
Compressive Strength of Masonry	7
Weight Classifications and Aggregates	8
Integrally Colored C.M.U.	9
Abbreviations	10
Shapes and Sizes	
Regular C.M.U.	11
Splitface Block	25
Slump Block	31
Founders Finish	35
Vertical Scored Block	40
Sonora Block	45
Fluted Block	48
Fence Block	51
Decorative Block	54
The Integra® Wall System	55
Keystone® Retaining Wall System	57
Belgard® Pavers	59
Mortar Joints	63
Corner Details	65
Wall Patterns	67

NCMA TEK'S Manuals & E-Details are available @ www.superliteblock.com

INTRODUCTION

Superlite Block's Shapes and Sizes Directory aims to assist you in the design process. The various types of concrete masonry units available featured, as well as the Integra® Wall System, Keystone® Retaining Walls, and Belgard® Pavers. In conjunction with the shapes and sizes, we have included technical information we hope will be of assistance. Some of the products featured in the Directory are available only on a special order basis. Superlite Block is proud to provide owners, architects, engineers and contractors with high quality masonry units for all your design needs. Please contact a Superlite Representative for the current availability of product at 602-352-3500 or 800-366-7877.

Concrete block wall systems are unsurpassed in functioning as a barrier to contain the spread of fire. These systems effectively resist transmission of intense heat through the wall while also preventing the passage of flames and hot gases. The fire resistance rating period of concrete masonry elements is determined by testing, by calculation methods or through a listing service.

- Testing of representative elements of the wall constructions in accordance with standard fire test methods is usually measured by ASTM E 119, Standard Test Methods of Fire Tests of Building Construction and Materials.
- Calculation methods determine fire resistance ratings based on physical and material properties of the concrete masonry unit, such as the equivalent thickness and aggregate types used in the manufacture of the concrete masonry units. These calculations methods are based on extensive research which has established a relationship between physical properties of materials and the fire resistance rating. The rating is a function of the aggregate used in the manufacturing of the units and the equivalent thickness of the unit.
- Private listing services allow a designer to specify a fire rated assembly which has been previously classified. The listing service monitors materials and production to verify that the concrete masonry units are in compliance with appropriate standards.

Equivalent Thickness

The equivalent thickness of a unit is the solid thickness that would be obtained if the same amount of concrete contained in a hollow unit was re-cast as a solid unit.

Loose fill Insulation

The fire resistive time period for concrete masonry units meeting the equivalent thickness required for a two-hour-fire-resistive rating in Item 3 (below) and having a thickness of not less than 7 5/8 inches is four hours when cores which are not grouted are filled with silicone-treated perlite loose-fill insulation; vermiculite loose-fill insulation; or expanded clay, shale or slate lightweight aggregate, sand or slag having a maximum particle size of 3/8 inches (Table No. 719.1(2)).

Blended Aggregates

The fire-resistance rating of concrete masonry units composed of a combination of aggregate types shall be based on equivalent thickness values determined as follows;

$$Tr = T1 \times V1 + T2 \times V2 \dots = Tn \times Vn$$

Where;

Tr = The minimum required equivalent thickness corresponding to the desired fire-resistance rating as listed in Table 719.1(2) for C.M.U. manufactured with a particular combination of aggregate types.

T1, T2,..Tn = The equivalent thickness for each aggregate Type 1,2,..n, respectively, used as indicated in Table 719.1(2) for the desired fire-resistance rating.

V1, V2,.. Vn = The percentage by volume of each aggregate Type 1, 2,..n, respectively, which is used in the manufacture of the C.M.U.

* More information about Fire Resistance can be found on our website www.superliteblock.com. Select the e-TEK Manual link from our home page, next select the Table of Contents, and finally select Section Seven titled Fire Resistance.

RATED FIRE-RESISTIVE PERIODS FOR VARIOUS WALL AND PARTITIONS ^{a, o, p}

MATERIAL	ITEM NUMBER	CONSTRUCTION	MINIMUM FINISHED THICKNESS Face-To-Face ^b (inches)			
			4 hours	3 hours	2 hours	1 hours
Concrete Masonry Units	3-1.1 ^g	Expanded slag or pumice	4.7	4.0	3.2	2.1
	3-1.2 ^g	Expanded clay, shale or slate	5.1	4.4	3.6	2.6
	3-1.3 ^f	Limestone, cinders or air-cooled slag	5.9	5.0	4.0	2.7
	3-1.4 ^g	Calcareous or siliceous gravel	6.2	5.3	4.2	2.8

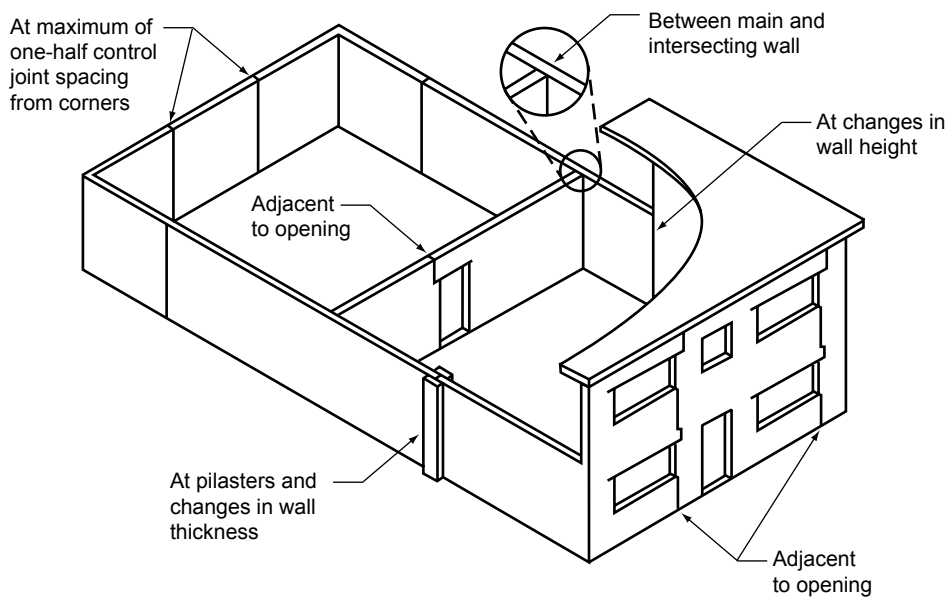
Source: 2003 IBC Code Table 720.1(2)

CONTROL JOINTS

Control joints are employed in crack control to reduce restraint by accommodating movement of the masonry wall, or movement of structural elements adjacent to the wall. Their spacing along the wall will depend on;

- The expected movements of the wall or other elements.
- The resistance of the wall to horizontal tensile stress.
- The extent and location in the wall of windows, doors, recesses, chases, and other causes of stress concentration.

Control joints should be used in conjunction with bond beams and joint reinforcement for crack control purposes.



Typical Control Joint Locations

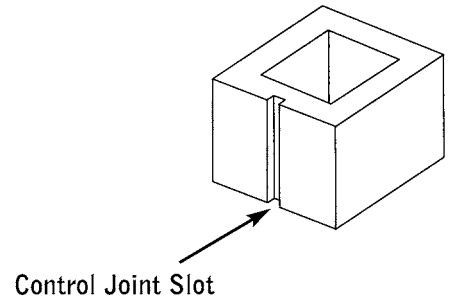
Source: NCMA TEK 10-2B

* *More detailed information about Control Joints can be found on our website www.superliteblock.com. Select the e-TEK manual link from our home page, next select the Table of Contents, and finally select Section Ten titled Movement Control.*

All of the units drawn in this Shapes and Sizes Directory are drawn without any control joint slots. Superlite manufactures a certain ratio of regular block to control joint block within a pallet of material. The general rules for the amount of control joint block manufactured with regular units are as follows;

All half block are manufactured with a control joint slot. The only exception to this is a split face one side one end, and a split face two sides one end. Superlite Block manufactures its units in this manner unless specified otherwise.

6" wide block	1 control joint block for every 4 regular blocks
8" wide block	1 control joint block for every 3 regular blocks
10" wide block	1 control joint block for every 2 regular blocks
12" wide block	1 control joint block for every 2 regular blocks



Sound absorption involves reducing the sound emanating from a source within a room by diminishing the sound level and changing its characteristics. Sound is absorbed through dissipation of the sound wave energy. The effectiveness of the absorption method is dependent on the ability of the room surfaces to absorb the noise rather than reflect it. Sound Absorption Coefficient (SAC) is an indication of the sound absorbing efficiency of a surface. The Noise Reduction Coefficient (NRC) is the average SAC taken at four different frequencies. NRC values depend on the porosity of the material and the surface. An open rough textured surface will have a higher NRC value. This means that more porous block such as a Splitface or Fluted block will have a higher NRC rating. Also a medium weight block, because of its porosity will perform better from an absorption point of view, than a normal weight block. If the $NRC = 1$, then no sound is reflected. The percentage that is reflected is fractionalized, subtracted from 1 and this figure is the NRC value.

Sound Transmission is concerned with sound traveling through barriers from one space into another. To prevent transmission the walls must have enough density to stop the energy waves. Sound Transmission Loss is the total amount of airborne sound lost at a given frequency, as it

travels through a partition. The STL, which is measured in decibels, is measured at 16 frequencies and the loss at these frequencies is used to plot a curve, which is used to determine the Sound Transmission Class (STC). The STC of a wall is determined by comparing its sound transmission loss curve with a set of standard curves or contours. There is a definite correlation between Sound Transmission and the weight of the wall. If a wall is heavier and denser then the Sound Transmission Coefficient will increase. For concrete masonry units this means that a Normal Weight Block would have a higher STC rating because of the mass of that block. Porosity of the units is also an important aspect, as the tighter a texture on the surface, the greater the resistance to sound penetration. Therefore a painted surface will increase the STC, but will decrease the NRC. If a sound of 100 decibels is generated on one side of a wall and 40 decibels is measured on the other side, then the reduction in sound intensity is 60 decibels. The wall then has a 60 decibel rating.

** More information about Sound Transmission can be found on our website www.superliteblock.com. Select the e-TEK manual link from our home page, next select the Table of Contents, and finally select Section Thirteen titled Sound.*

Structural performance of masonry is based on the physical characteristics of its components and on the construction methods used in assembling these components. The strength of masonry is influenced by the structural properties of units, grout, mortar and reinforcement. In engineered masonry structures, the required strength of structural elements is determined by distributing design loads to the various resisting elements in accordance with a structural analysis. After the required strength is determined, the designer uses it as a basis for specifying f'_m , which is defined as the "specified compressive strength of masonry". This property is noted in the project documents and is used in accordance with masonry design codes to establish allowable stresses for masonry elements.

Compressive Strength of Concrete Masonry

Net area compressive strength of concrete masonry units (psi)		Net area compressive strength of masonry (psi) ^a
Type M or S mortar	Type N mortar	
1250	1300	1000
1900	2150	1500
2800	3050	2000
3750	4050	2500
4800	5250	3000

For SI: 1 inch = 25.4 mm, 1 pound per square inch = 0.00689 MPa.

^a For units less than 4 inches in height, 85 percent of the values listed.

Source: 2003 IBC Code Table 720.1(2)

* More detailed information about Compressive Strength can be found on our website www.superliteblock.com. Select the e-TEK manual link on our home page, next select the Table of Contents, and finally select Section Eighteen titled Quality Assurance, Inspection, & Testing.

Concrete Block has three classifications according to weight. Lightweight units weigh between 85 and 105 pounds per cubic foot. Medium Weight units weigh between 105 and 125 pounds per cubic foot and Normal Weight units weigh over 125 pounds per cubic foot. Superlite Block currently manufactures only Medium and Normal weight units. Medium weight block is lighter, has a higher fire rating, a higher R value and is more effective for sound absorption (NRC rating). Normal Weight block has a higher compressive strength, a tighter texture and is more effective for sound transmission (STC rating).

The most common aggregate in our market is volcanic scoria. Superlite Block uses volcanic scoria in manufacturing Medium Weight block that conform to ASTM C 331. Normal Weight Block uses aggregates that conform to ASTM C33 and are composed of sand and rock. All units that are produced by Superlite are available in either mix design. For more information about Superlite Block, please visit our website at www.superliteblock.com.

Economy, superior design and function, and appealing aesthetics are readily achieved in projects constructed with integrally colored concrete masonry units.

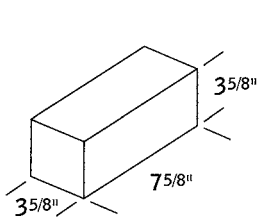
It is important to note that minor variations in tone and texture are inherent in all masonry products. Factors influencing these variations in Concrete Masonry Units include: color variation in pigments, aggregates, cements, water content, degree of compaction achieved during manufacture, kiln conditions and atmospheric conditions including temperature and humidity. If properly dispersed through the wall, these variations can enhance rather than detract from the appearance of a project.

There are several steps that can be taken to ensure that the product performs as intended;

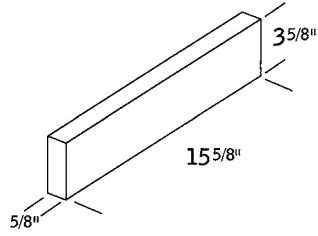
1. The architect should request samples for verification purpose showing the full range of exposed color and texture to be expected in completed construction.
2. A sample panel should be built on the jobsite. This sample panel should be used as a reference for the color of the CMU, the texture of the CMU and the workmanship. In case of disputes over these issues on the project, the sample panel should be referred to.
3. The mason should pull product to be placed in the wall from opposite corners of three randomly selected pallets to ensure dispersion of variability.
4. The initial order should be as accurate as possible, as Superlite Block cannot guarantee an exact match from subsequent production runs.
5. Following construction, the concrete masonry units should be cleaned using well-established and specified techniques.

ABBREVIATIONS

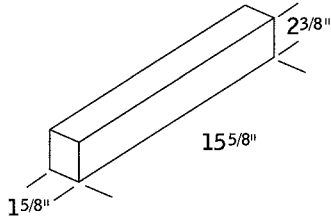
FF	Founders Finish
SP	Splitface
SC	Vertical Scored one side
SS	Vertical Scored two side
SR	Splitface with Vertical Score
SL	Slump
SN	Sonora
FL	Fluted
0E1E	Open Ended One End
0E2E	Open Ended Two Ends
SBN	Single Bull Nose
SBN 2E	Single Bull Nose Two Ends
DBN	Double Bull Nose
DCBB	Deep Cut Bond Beam
SBBB	Solid Bottom Bond Beam
UBB	U Bond Beam
CBB	California Bond Beam
DCCW	Deep Cut Center Web
SP1S	Splitface One Side
SP1S1E	Splitface One Side One End
SP2S	Splitface Two Sides
SP2S1E	Splitface Two Sides One End



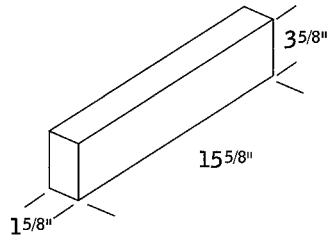
4"x 4"x 8" Jumbo



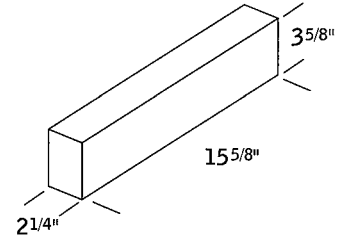
1"x 4"x 16" Cracker



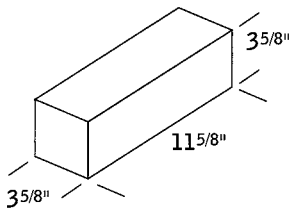
2"x 2"x 16"



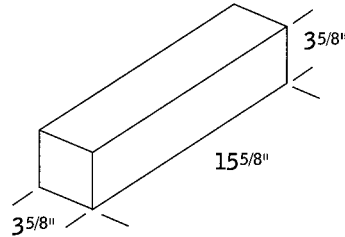
2"x 4"x 16"



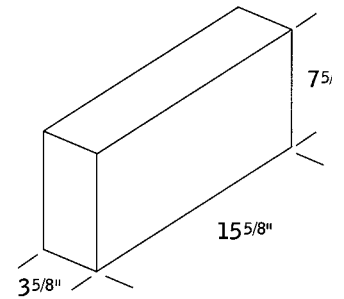
2 1/4"x 4"x 16" Roman



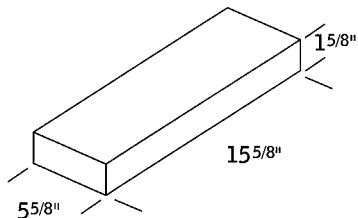
4"x 4"x 12"*



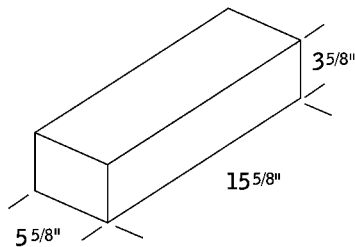
4"x 4"x 16"*



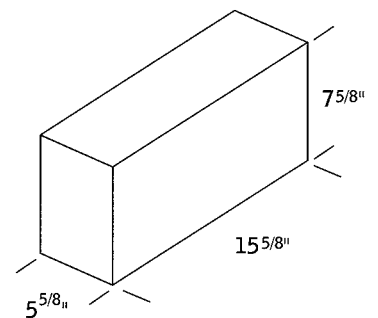
4"x 8"x 16"*



6"x 2"x 16"



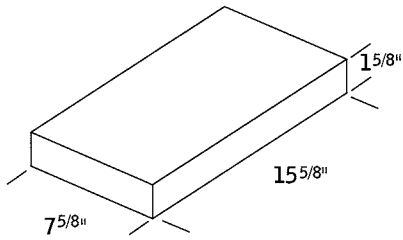
6"x 4"x 16"*



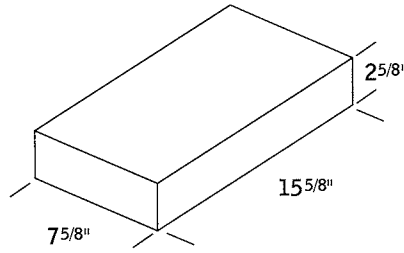
6"x 8"x 16"*

*Available on special order basis only.

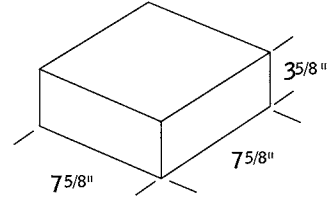
SOLID BLOCK



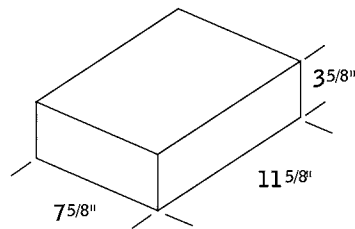
8"x 2"x 16"



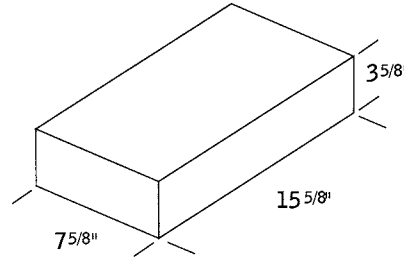
8"x 3"x 16"*



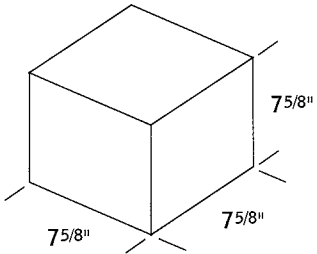
8"x 4"x 8"*



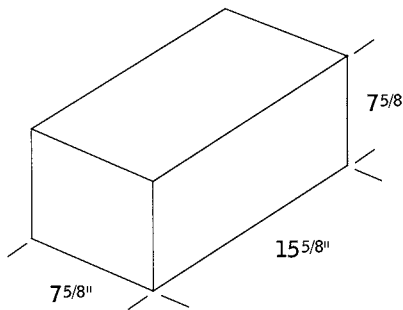
8"x 4"x 12"*



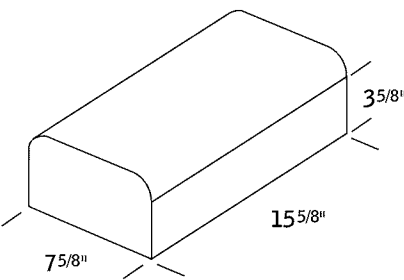
8"x 4"x 16"*



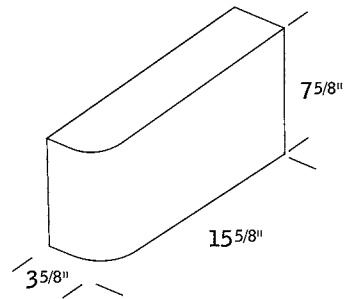
8"x 8"x 8"*



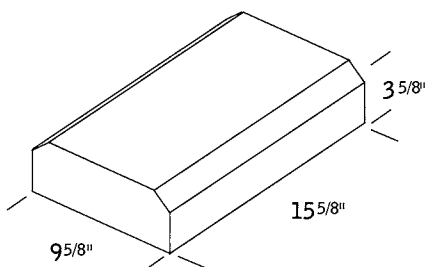
8"x 8"x 16"*



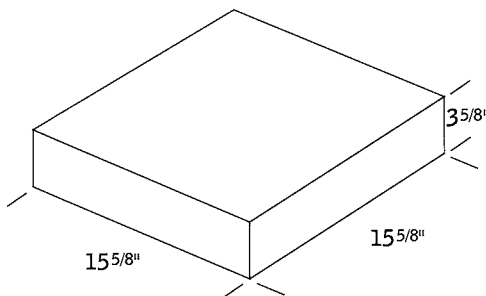
8"x 4"x 16" Round Top



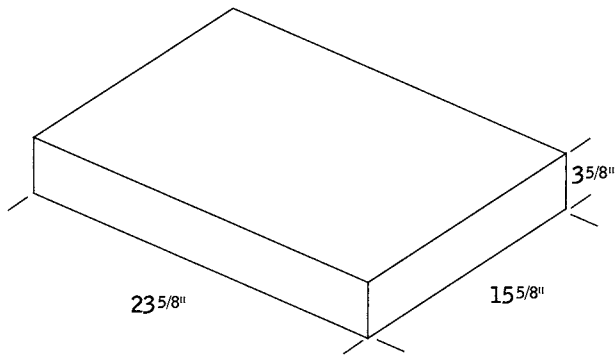
4"x 8"x 16" SBN*



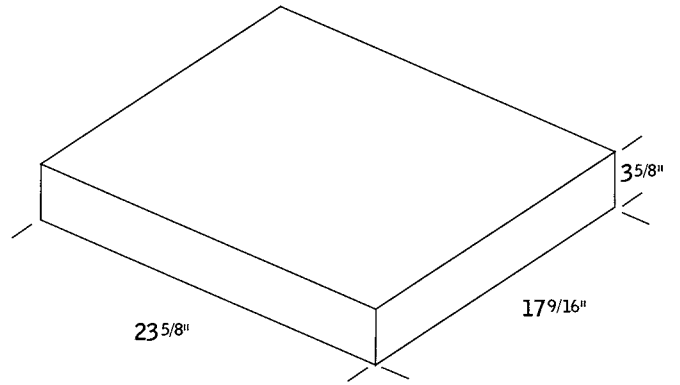
10"x 4"x 16" Beveled*



16"x 4"x 16"



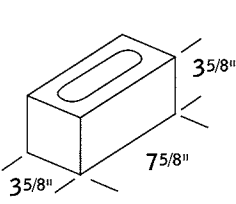
24" x 4" x 16"*



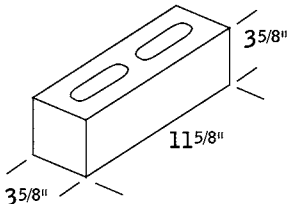
24" x 4" x 18"*

*Available on special order basis only.

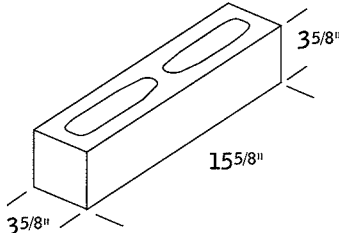
4" Block



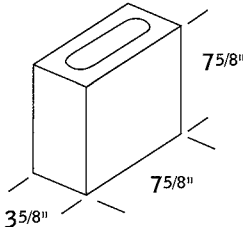
4" x 4" x 8"



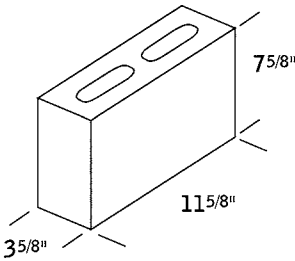
4" x 4" x 12"



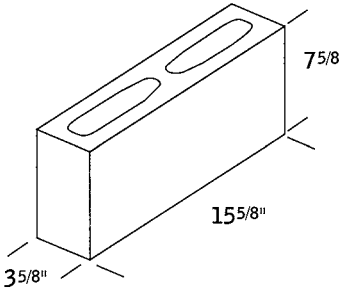
4" x 4" x 16"



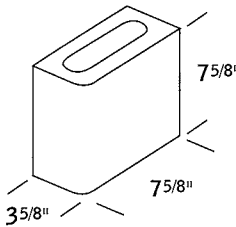
4" x 8" x 8"



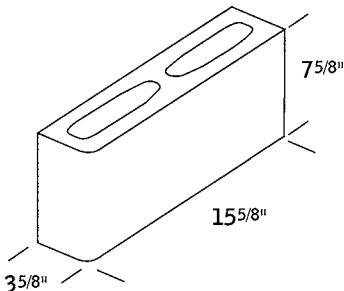
4" x 8" x 12"



4" x 8" x 16"

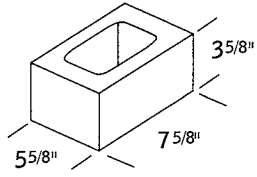


4" x 8" x 8" SBN*
(In factory saw cut only)

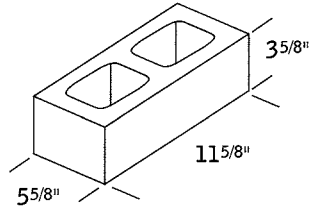


4" x 8" x 16" SBN*

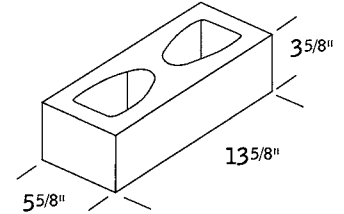
*Available on special order basis only.



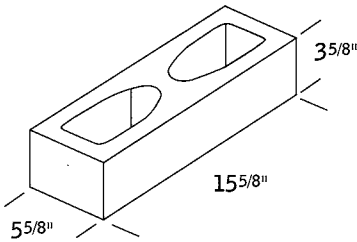
6" x 4" x 8"



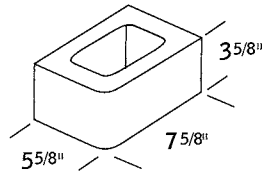
6" x 4" x 12"



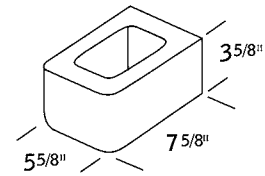
6" x 4" x 14"*



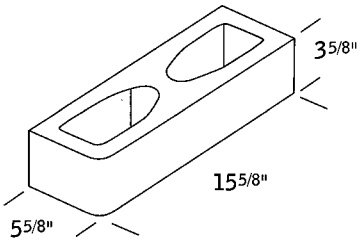
6" x 4" x 16"



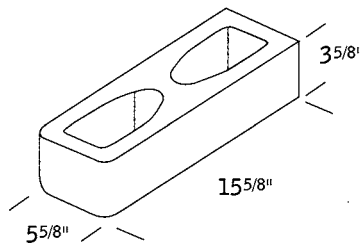
6" x 4" x 8" SBN*
(In factory saw cut only)



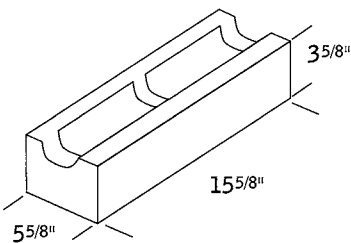
6" x 4" x 8" DBN*
(In factory saw cut only)



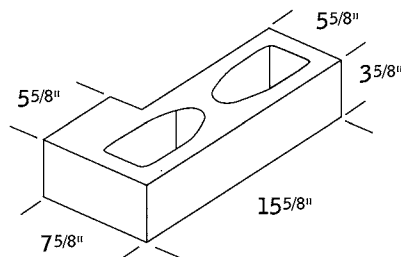
6" x 4" x 16" SBN*



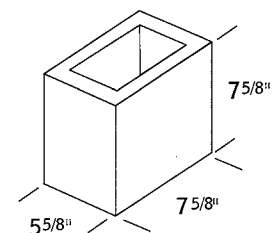
6" x 4" x 16" DBN*



6" x 4" x 16" CBB*



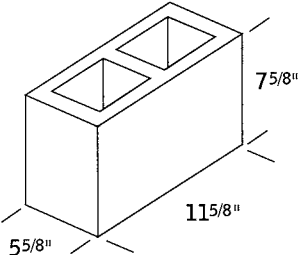
6" x 4" x 16" Corner*



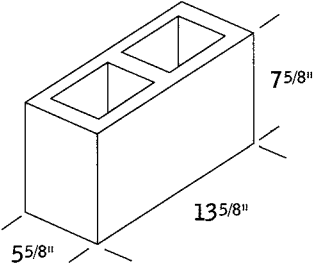
6" x 8" x 8"

*Available on special order basis only.

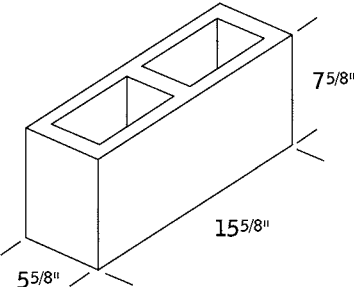
6" Block



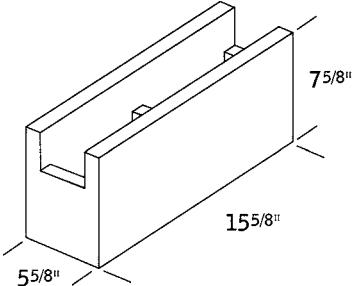
6" x 8" x 12"



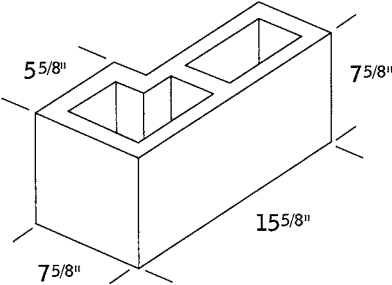
6" x 8" x 14"*



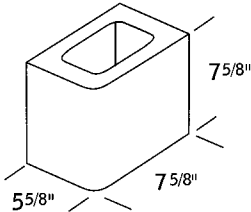
6" x 8" x 16"



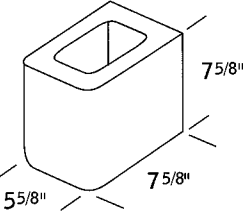
6" x 8" x 16" DCBB



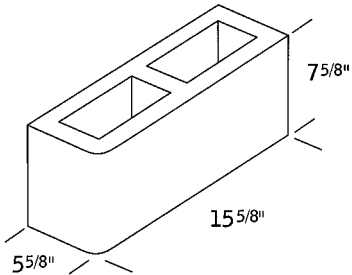
6" x 8" x 16" Corner



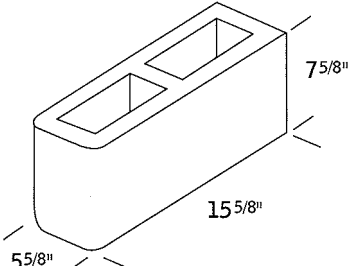
6" x 8" x 8" SBN*



6" x 8" x 8" DBN*

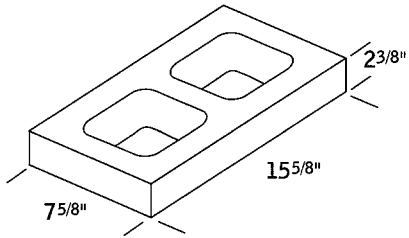


6" x 8" x 16" SBN*

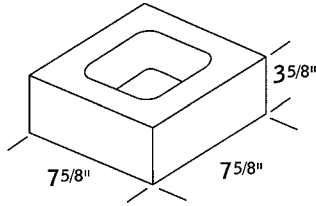


6" x 8" x 16" DBN*

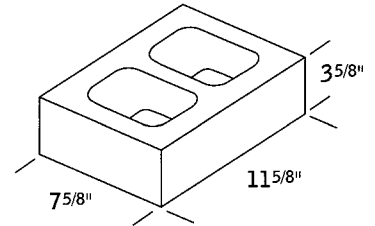
*Available on special order basis only.



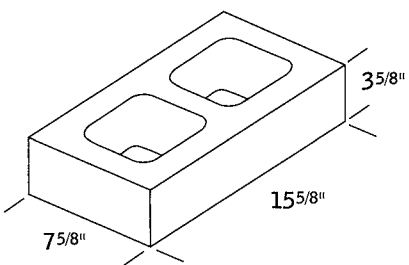
8"x 3"x 16" Slimline



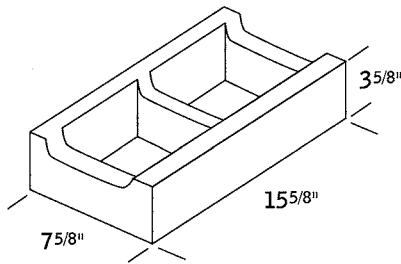
8"x 4"x 8"



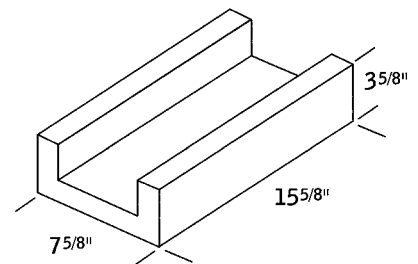
8"x 4"x 12"



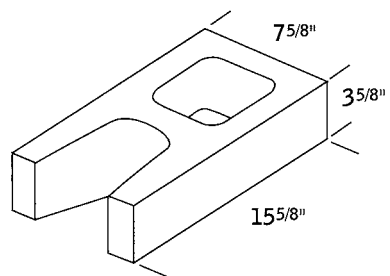
8"x 4"x 16"



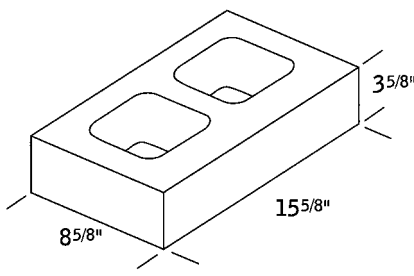
8"x 4"x 16" CBB



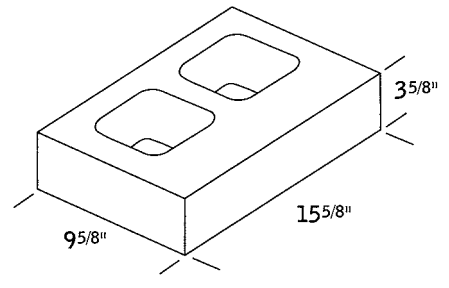
8"x 4"x 16" Lintel



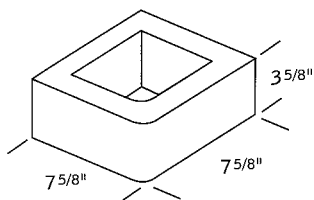
8"x 4"x 16" OE1E*



9"x 4"x 16" Rowlock



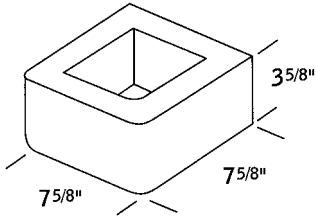
10"x 4"x 16" Offset Core*



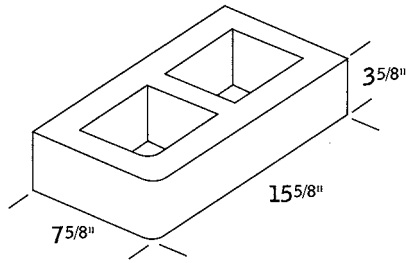
8"x 4"x 8" SBN*
(In factory saw cut only)

*Available on special order basis only.

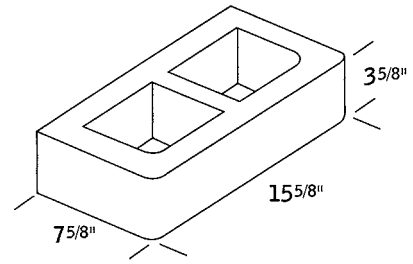
8" Block



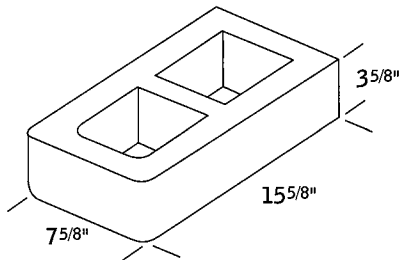
8"x 4"x 8" DBN*



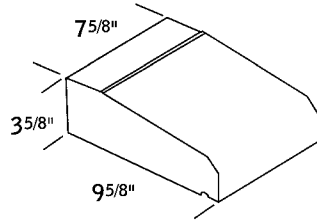
8"x 4"x 16" SBN*



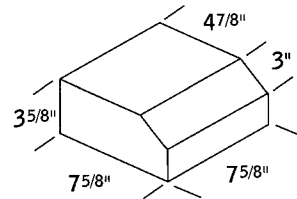
8"x 4"x 16" SBN 2E*



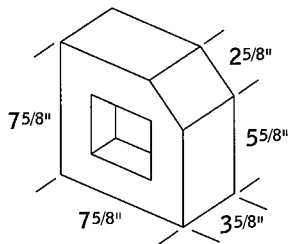
8"x 4"x 16" DBN*



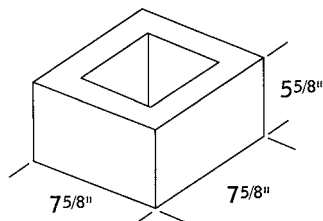
10"x 4"x 8" Solid Sill Block



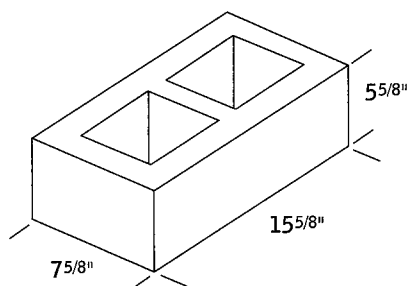
8"x 4"x 8" Solid Sill Block



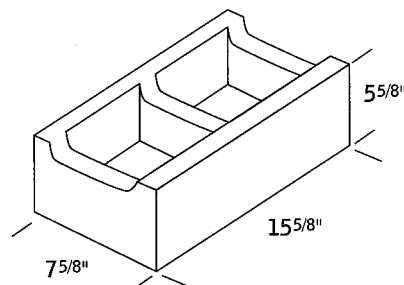
8"x 4"x 8" Champfer*



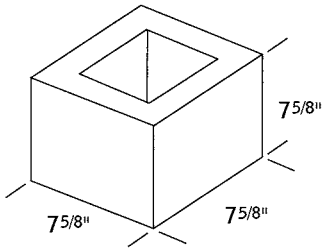
8"x 6"x 8"



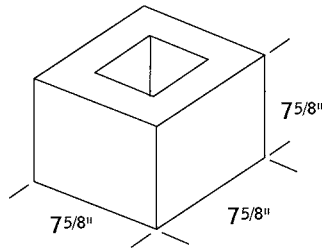
8"x 6"x 16"



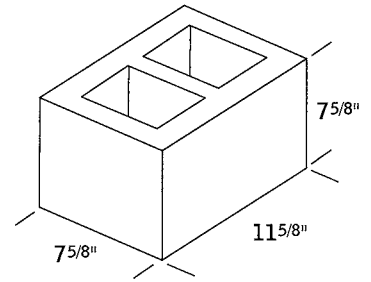
8"x 6"x 16" CBB*



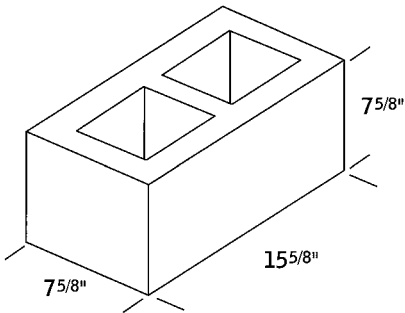
8" x 8" x 8"



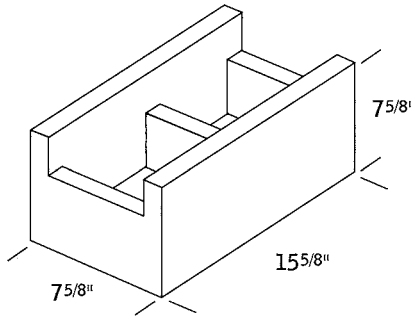
8" x 8" x 8" Simplicity*



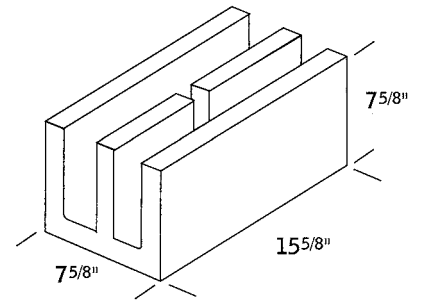
8" x 8" x 12"



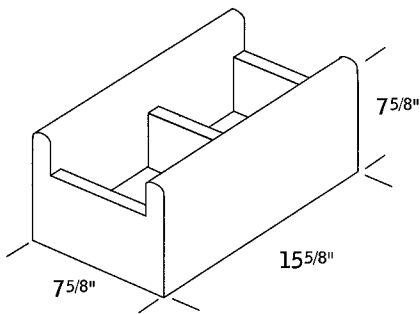
8" x 8" x 16"



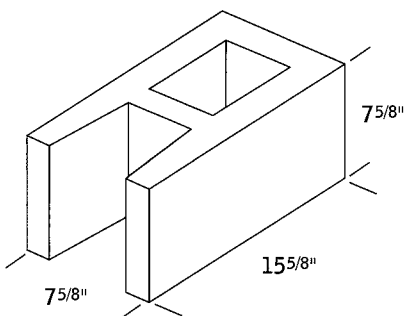
8" x 8" x 16" DCBB



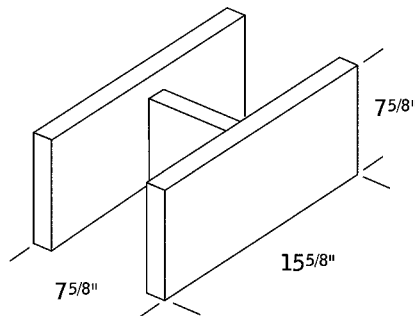
8" x 8" x 16" SBBB



8" x 8" x 16" DCBB Round Top*



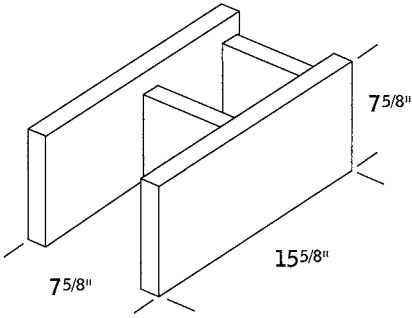
8" x 8" x 16" OE1E



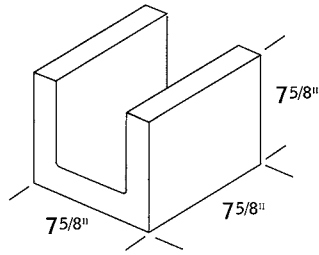
8" x 8" x 16" DCBB OE2E

*Available on special order basis only.

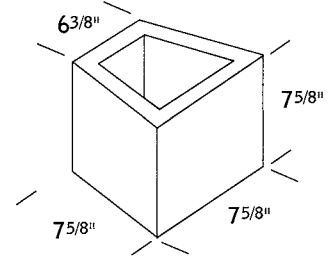
8" Block



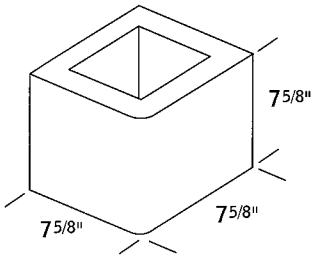
8" x 8" x 16" DCBB 0E1E



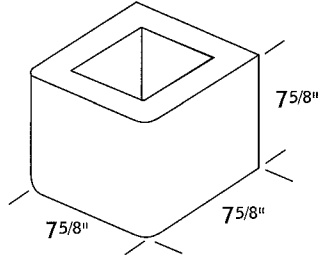
8" x 8" x 8" UBB



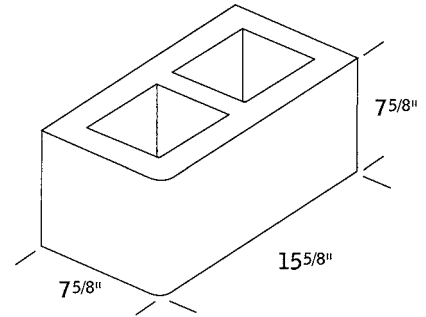
8" x 8" x 8" 4' Radius Tapered



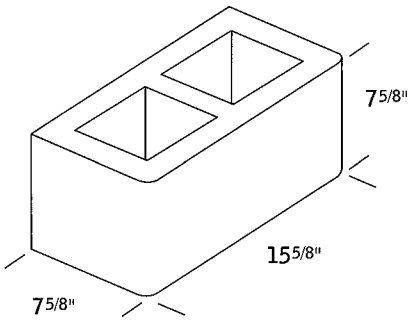
8" x 8" x 8" SBN



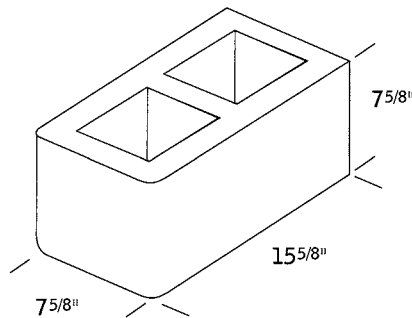
8" x 8" x 8" DBN



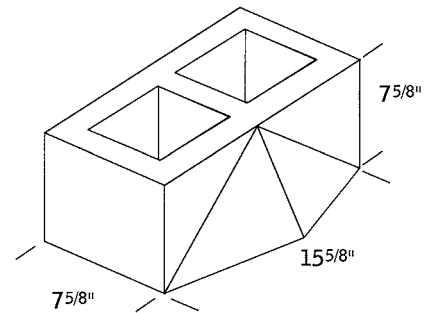
8" x 8" x 16" SBN



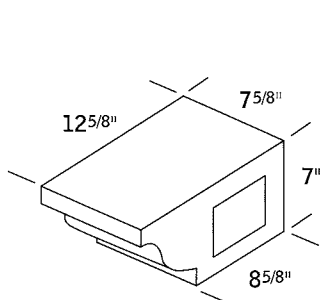
8" x 8" x 16" SBN 2E



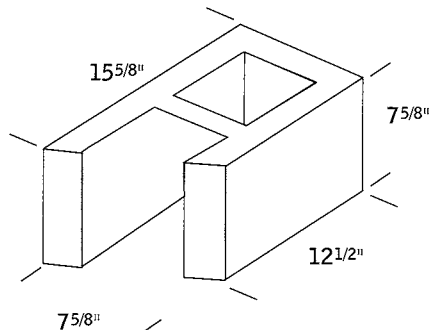
8" x 8" x 16" DBN



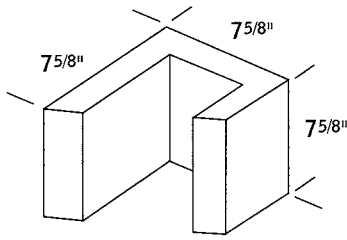
8" x 8" x 16" Hi-Lite Block*



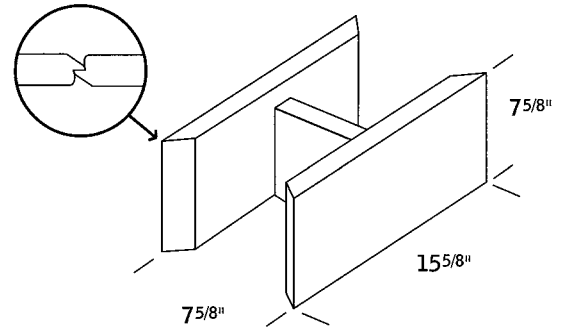
Copping Block for 8" Wall*



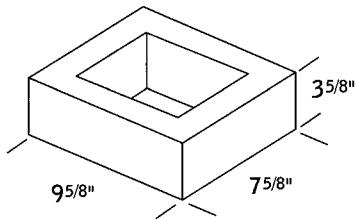
8" x 8" x 16" Special Angle Corner



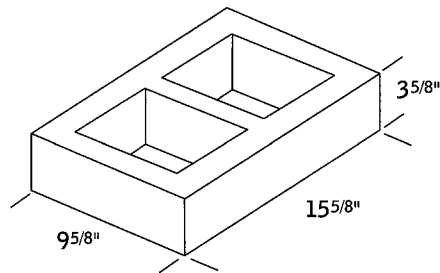
8"x 8"x 8" Special Angle Corner



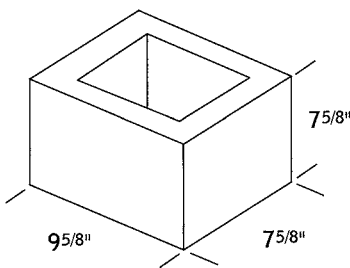
8"x 8"x 16" Grout Lok BB*



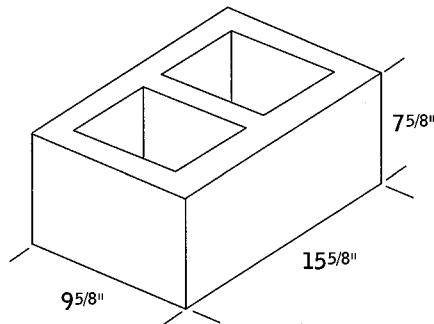
10"x 4"x 8"



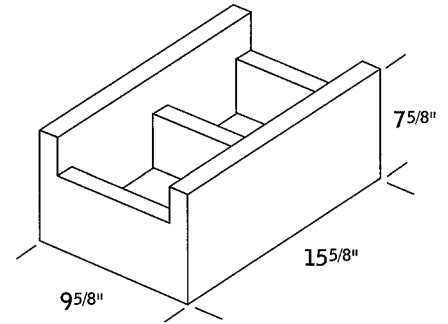
10"x 4"x 16"



10"x 8"x 8"



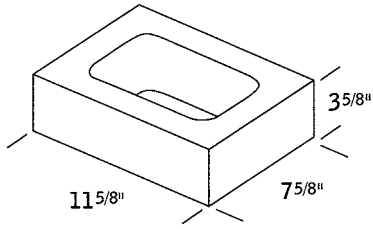
10"x 8"x 16"



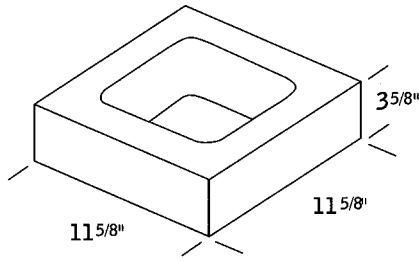
10"x 8"x 16" DCBB

*Available on special order basis only.

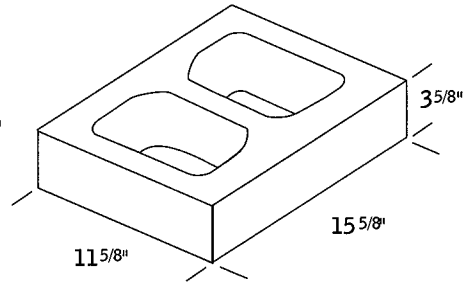
12" Block



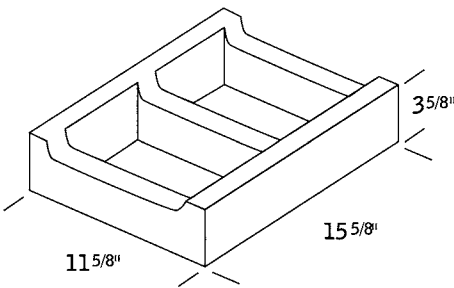
12"x 4"x 8"



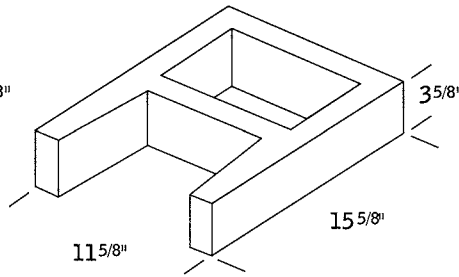
12"x 4"x 12"



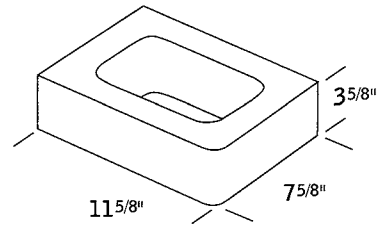
12"x 4"x 16"



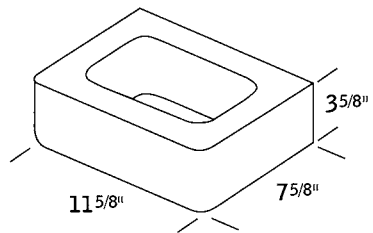
12"x 4"x 16" CBB



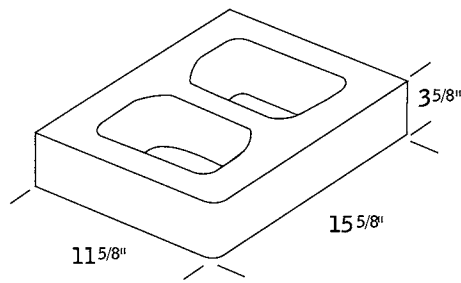
12"x 4"x 16" OE1E*



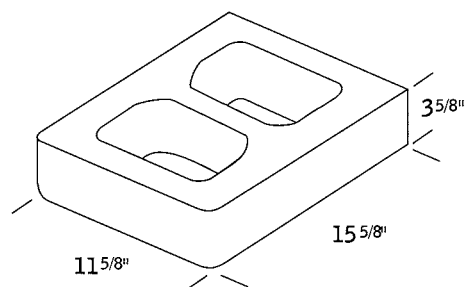
12"x 4"x 8" SBN*



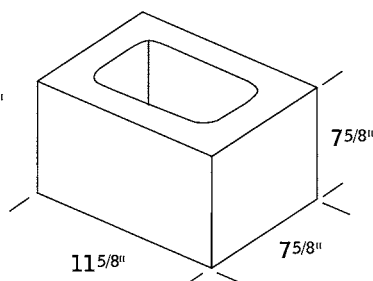
12"x 4"x 8" DBN*



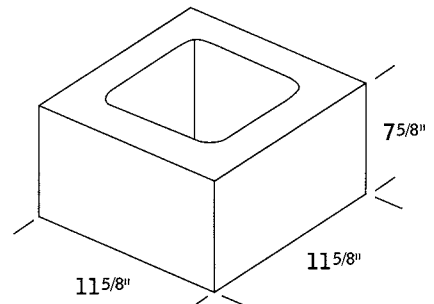
12"x 4"x 16" SBN*



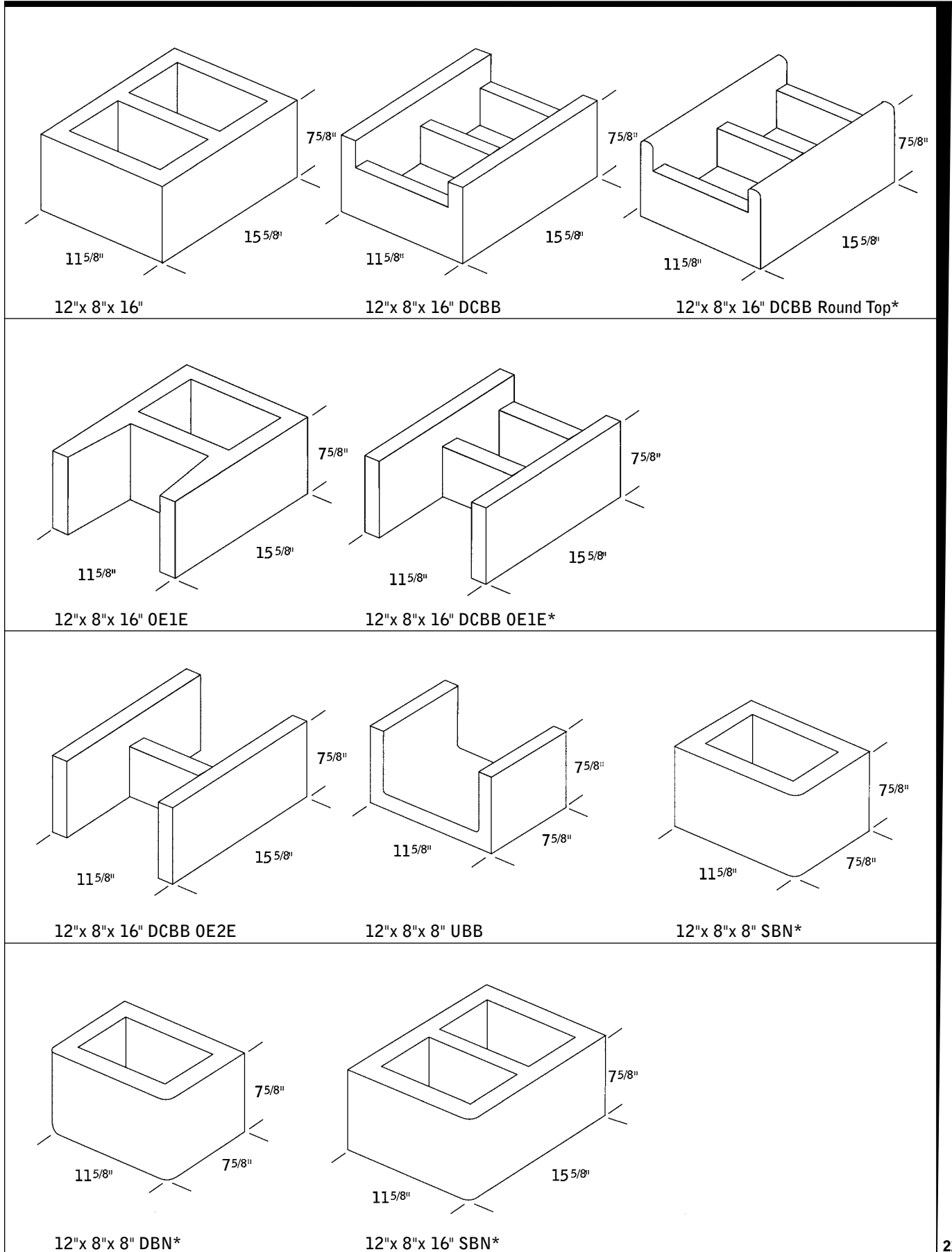
12"x 4"x 16" DBN*



12"x 8"x 8"

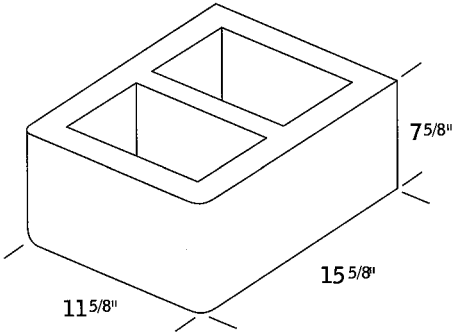


12"x 8"x 12"

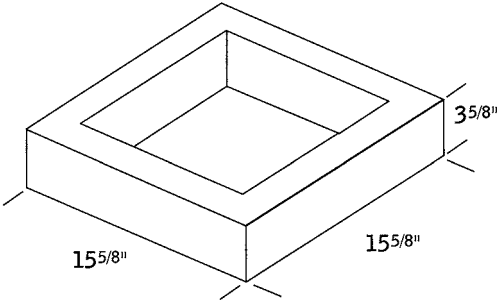


*Available on special order basis only.

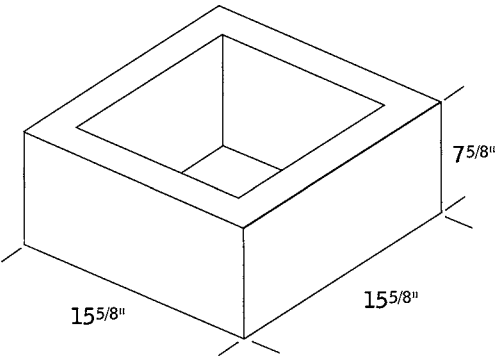
16" Block



12"x 8"x 16" DBN*



16"x 4"x 16"

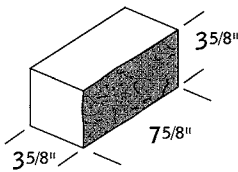
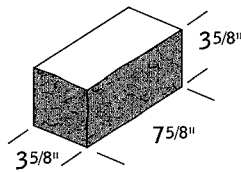
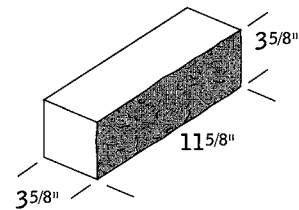
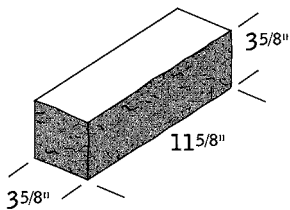
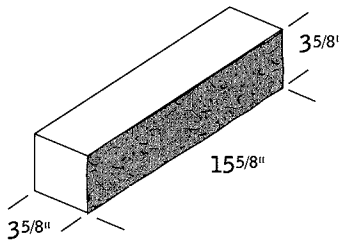
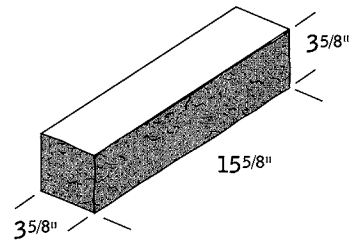
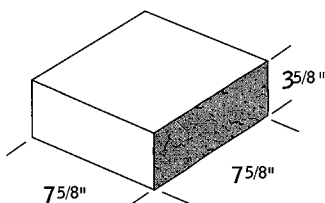
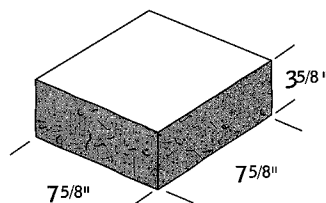
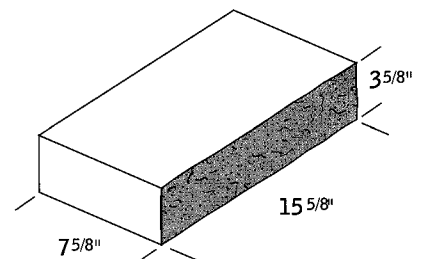


16"x 8"x 16"

*Available on special order basis only.

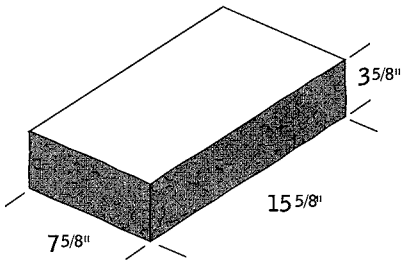
Splitface units are molded with two units attached face to face. The units are then mechanically split apart after having been cured, leaving the split face with a rough texture, similar to natural stone. Because of the nature of the aggregates used in the manufacturing process and the splitting process itself, no two units are exactly the same. The splitting process reveals the aggregates used in the block, so different aggregates will give different appearances when Splitface Block is used. Splitface Block can also be manufactured with vertical scores. Splitface

Block is available as both a medium weight hollow load bearing concrete masonry unit and a normal weight hollow load bearing concrete masonry unit. Gray splitface is available in some shapes and sizes on a stock basis. It is also available in a variety of recommended colors or custom colors on a special order basis.

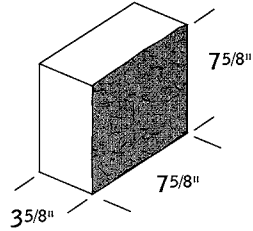
Solid & 4" Block

4" x 4" x 8" SP1S

4" x 4" x 8" SP1S1E*

4" x 4" x 12" SP1S*

4" x 4" x 12" SP1S1E*

4" x 4" x 16" SP1S

4" x 4" x 16" SP1S1E*

8" x 4" x 8" SP1S*

8" x 4" x 8" SP1S1E*
 also available SP2S*, SP2S1E*

8" x 4" x 16" SP1S

*Available on special order basis only.

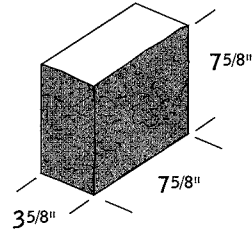
SPLITFACE BLOCK



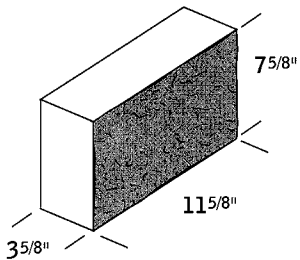
8"x 4"x 16" SP1S1E*
also available SP2S* SP2S1E*



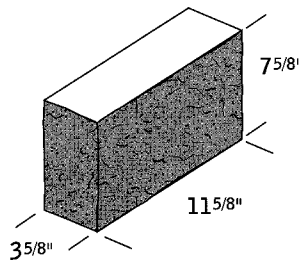
4"x 8"x 8" SP1S*



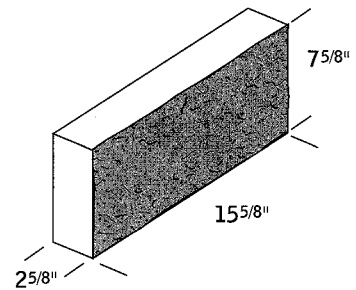
4"x 8"x 8" SP1S1E*



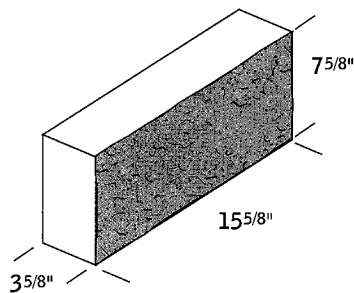
4"x 8"x 12" SP1S*



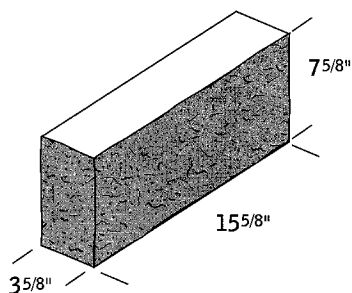
4"x 8"x 12" SP1S1E*



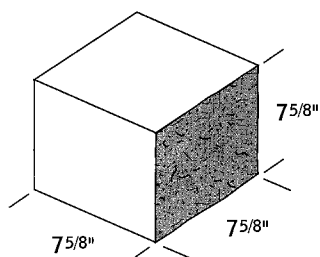
3"x 8"x 16" SP1S*



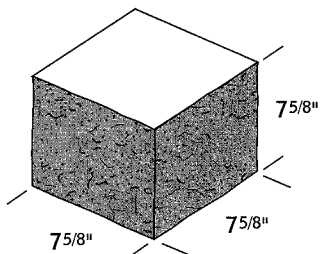
4"x 8"x 16" SP1S*



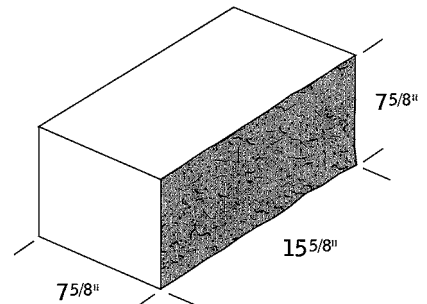
4"x 8"x 16" SP1S1E*



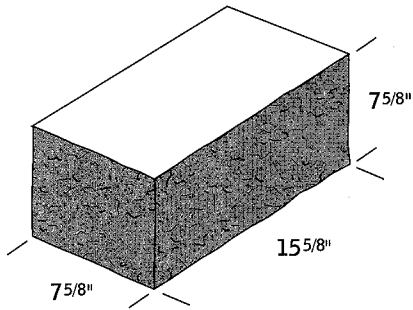
8"x 8"x 8" SP1S*



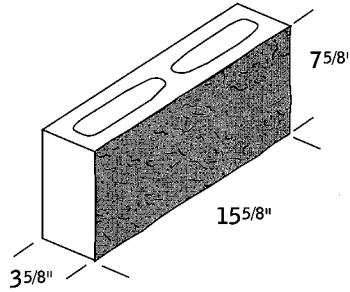
8"x 8"x 8" SP1S1E*
also available SP2S*, SP2S1E*



8"x 8"x 16" SP1S*

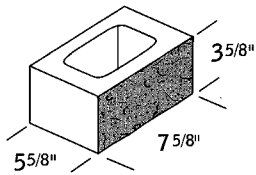


8"x 8"x 16" 1S1E*
also available SP2S* SP2S1E*

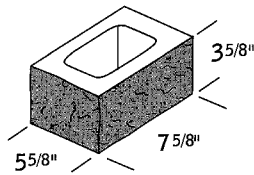


4"x 8"x 16" SP1S*

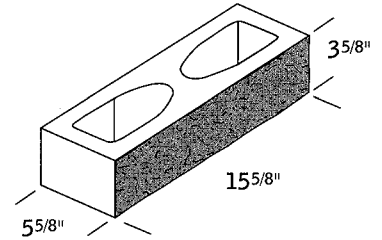
6" Block



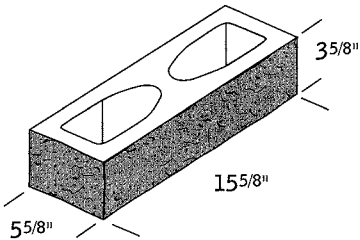
6"x 4"x 8" SP1S*



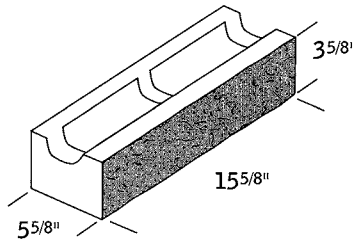
6"x 4"x 8" SP1S1E*
also available SP2S*, SP2S1E*



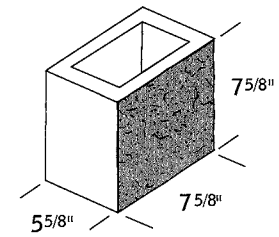
6"x 4"x 16" SP1S*



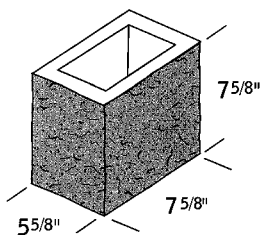
6"x 4"x 16" SP1S1E*
also available SP2S*, SP2S1E*



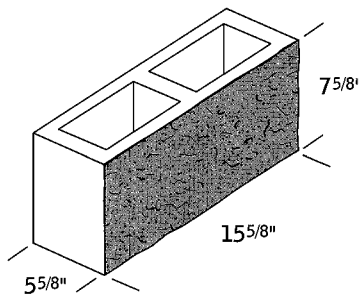
6"x 4"x 16" SP1S CBB*
also available SP2S CBB*



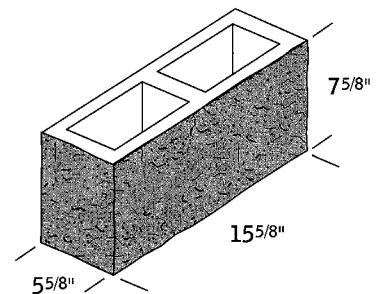
6"x 8"x 8" SP1S
(In factory sawcut only)



6"x 8"x 8" SP1S1E*
also available SP2S*, SP2S1E*



6"x 8"x 16" SP1S

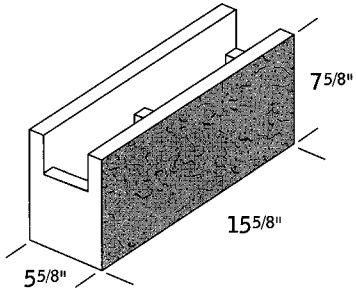


6"x 8"x 16" SP1S1E*
also available SP2S*, SP2S1E*

*Available on special order basis only.

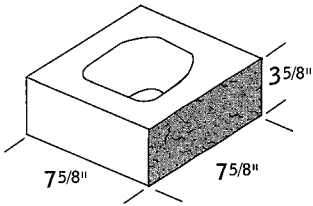
SPLITFACE BLOCK

6" Block

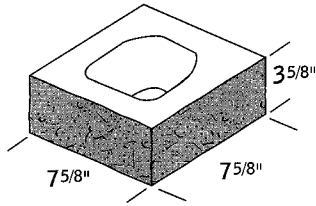


6"x 8"x 16" SP1S DCBB*
also available SP2S*

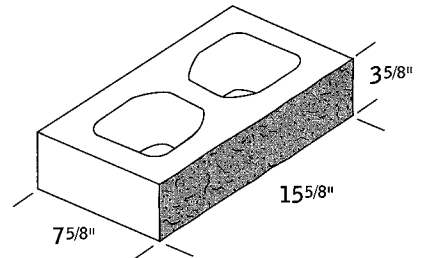
8" Block



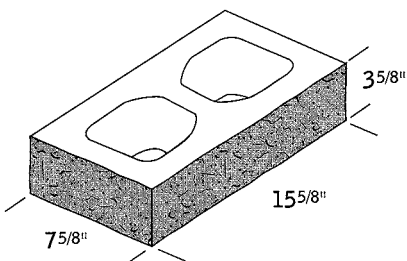
8"x 4"x 8" SP1S



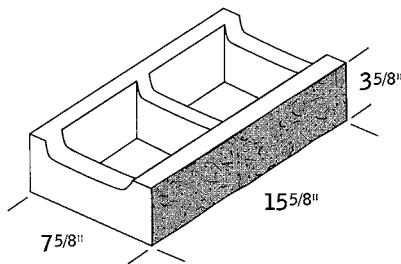
8"x 4"x 8" SP1S1E*
also available SP2S*, SP2S1E*



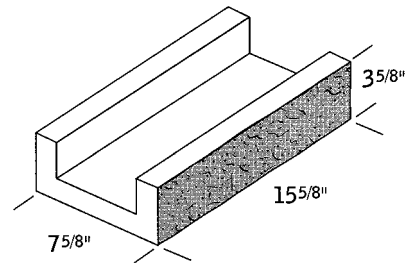
8"x 4"x 16" SP1S



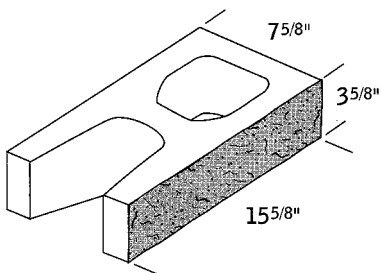
8"x 4"x 16" SP1S1E
also available SP2S, SP2S1E*



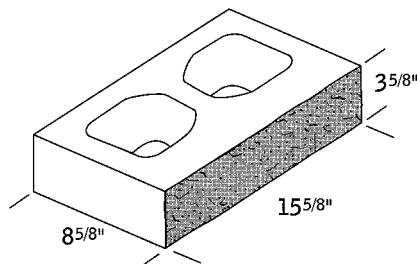
8"x 4"x 16" SP1S CBB*
also available SP2S*



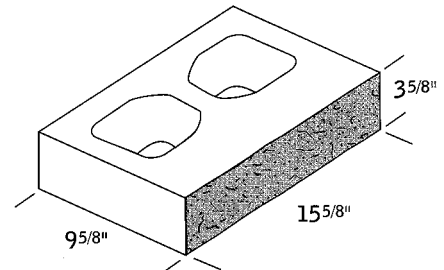
8"x 4"x 16" SP1S Lintel*



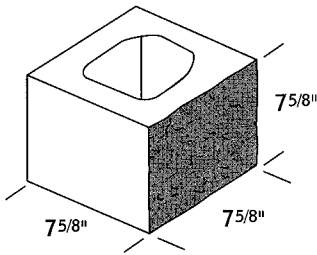
8"x 4"x 16" SP1S OE1E*
also available SP2S OE1E*



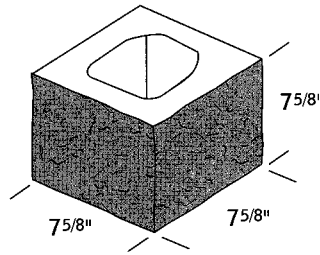
9"x 4"x 16" SP1S Rowlock*



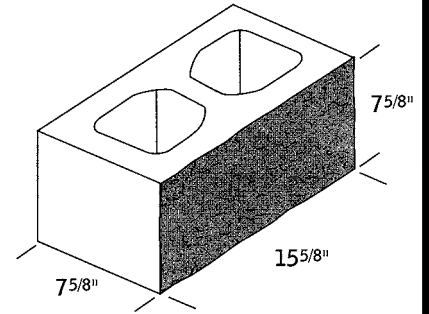
10"x 4"x 16" SP1S Offset Core*



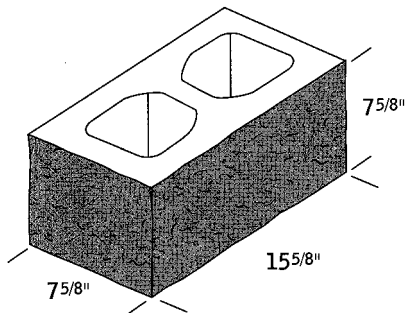
8"x 8"x 8" SP1S



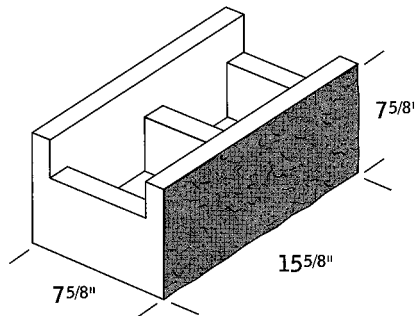
8"x 8"x 8" SP1S1E
also available SP2S*, SP2S1E*



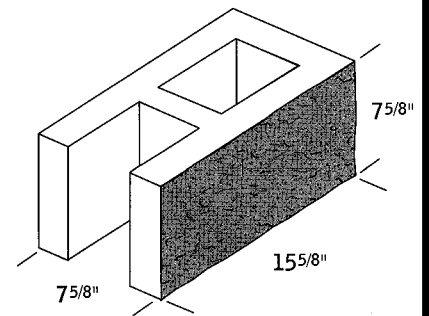
8"x 8"x 16" SP1S



8"x 8"x 16" SP1S1E
also available SP2S, SP2S1E

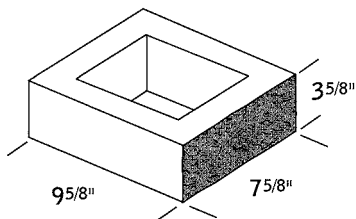


8"x 8"x 16" SP1S/SP2S DCBB* And
8"x 8"x 16" SP1S DCBB Solid Bottom*
8"x 8"x 16" SP2S DCBB Solid Bottom*

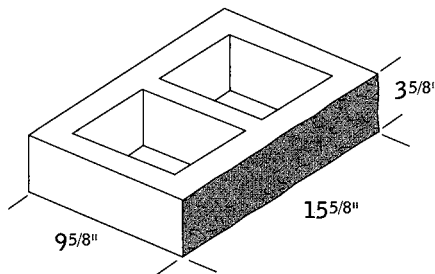


8"x 8"x 16" SP1S OE1E*
also available SP2S OE1E*

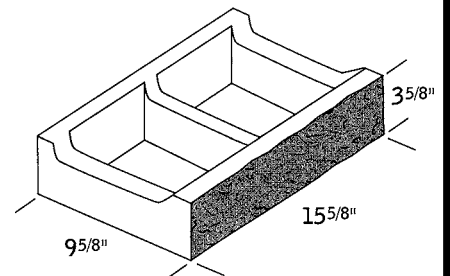
10" Block



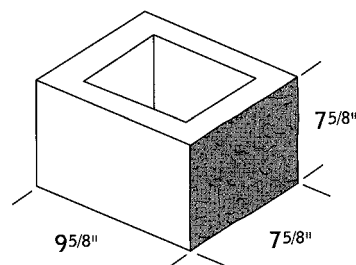
10"x 4"x 8" SP1S*
(In factory saw cut only)



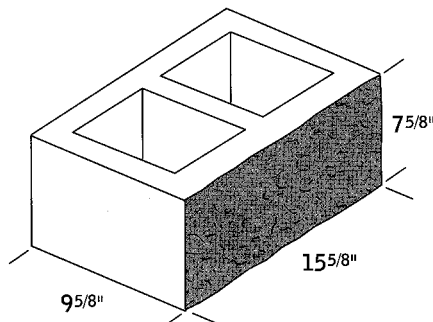
10"x 4"x 16" SP1S*



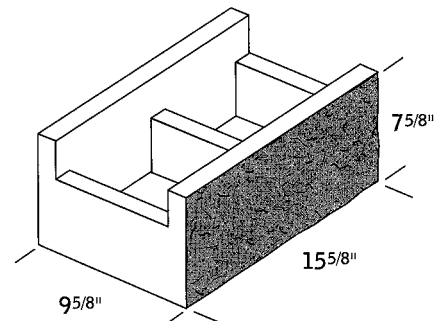
10"x 4"x 16" SP1S CBB*



10"x 8"x 8" SP1S*
(In factory saw cut only)



10"x 8"x 16" SP1S*

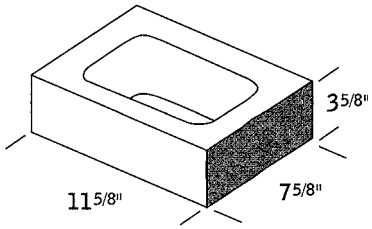


10"x 8"x 16" SP1S DCBB*

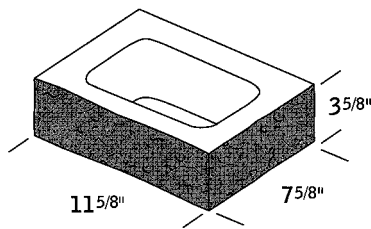
*Available on special order basis only.

SPLITFACE BLOCK

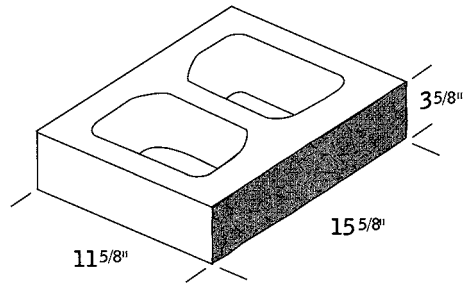
12" Block



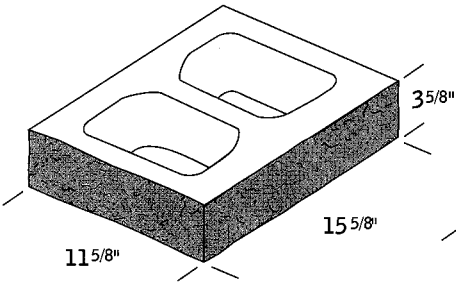
12"x 4"x 8" SP1S*



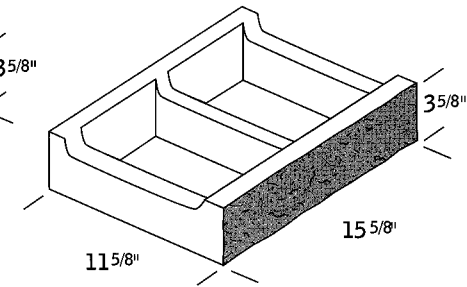
12"x 4"x 8" SP1S1E*



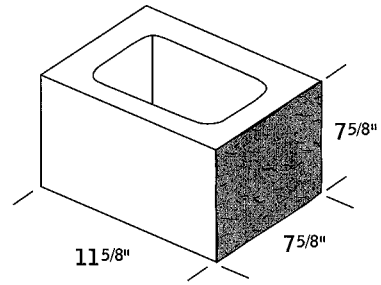
12"x 4"x 16" SP1S*



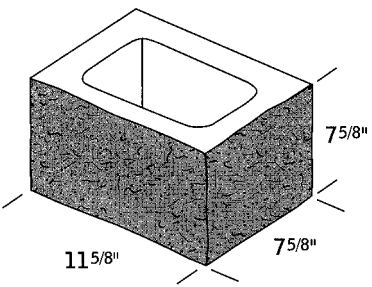
12"x 4"x 16" SP1S1E*
also available SP2S* SP1S1E*



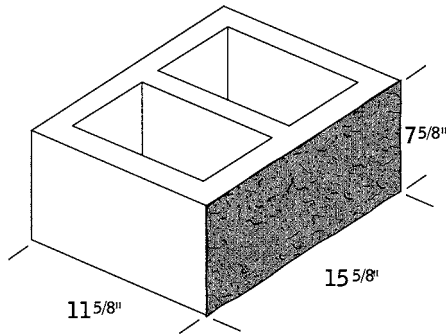
12"x 4"x 16" SP1S CBB*



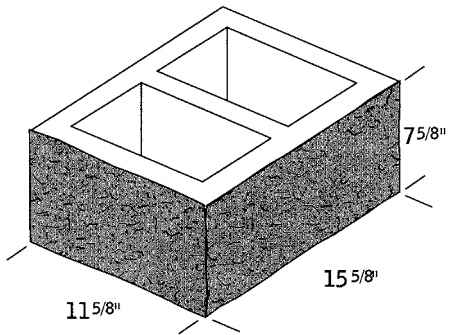
12"x 8"x 8" SP1S



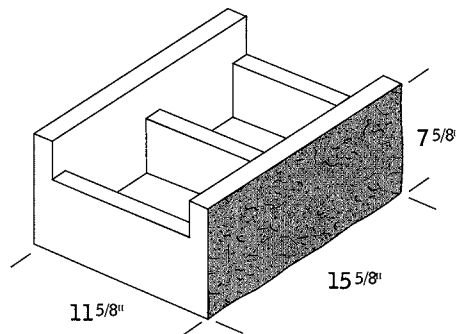
12"x 8"x 8" SP1S1E
also available SP2S*, SP2S1E*



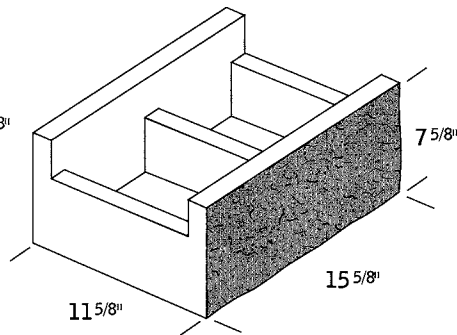
12"x 8"x 16" SP1S



12"x 8"x 16" SP1S1E
also available SP2S*, SP2S1E*

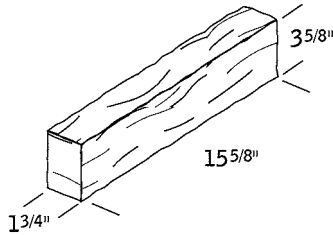


12"x 8"x 16" SP1S DCBB

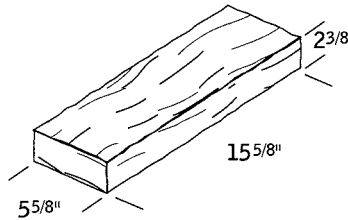


12"x 8"x 16" SP1S Deep Cut SBBB*

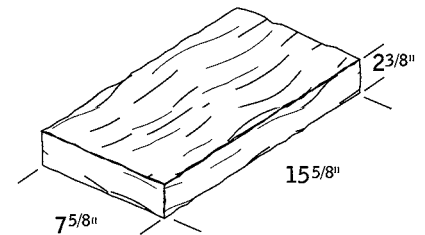
Slump block maintains the same basic standard dimensions as regular units. To give these units their special character, the manufacturing process is changed so that the mix slumps within desired limits when removed from its mold. Because of the unpredictable roll in texture, the units take on the appearance of hand made adobe. Slump Block is a normal weight hollow load bearing concrete masonry unit. Most slump units are available in 4 standard colors on a stock basis. Other custom colors are available on a special order basis.

Solid


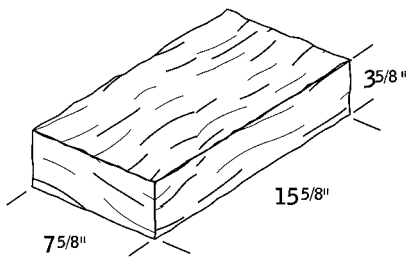
2" x 4" x 16" Roman



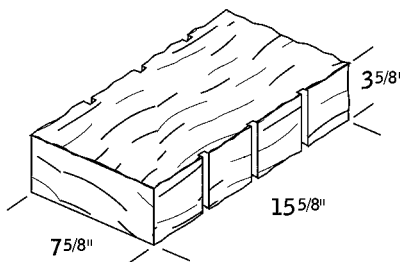
6" x 2" x 16"*



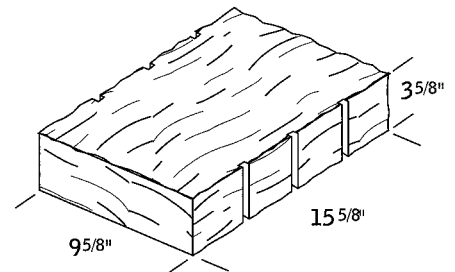
8" x 2" x 16"



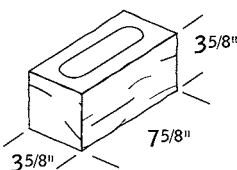
8" x 4" x 16"



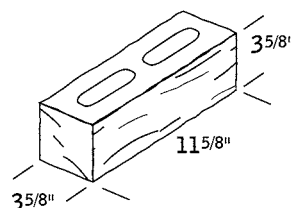
8" x 4" x 16" Rollock



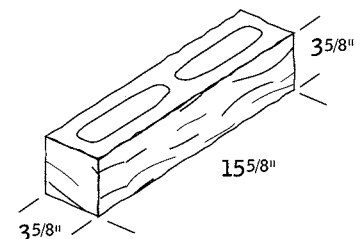
10" x 4" x 16" Rollock



4" x 4" x 8"



4" x 4" x 12"

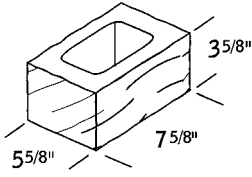


4" x 4" x 16"

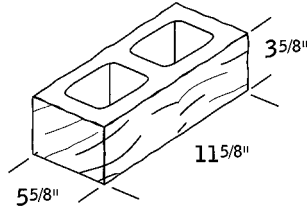
*Available on special order basis only.

SLUMP BLOCK

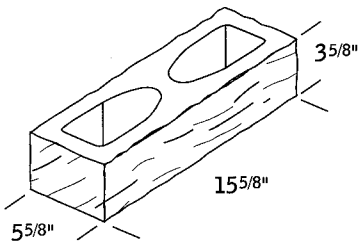
6, 8 & 12"



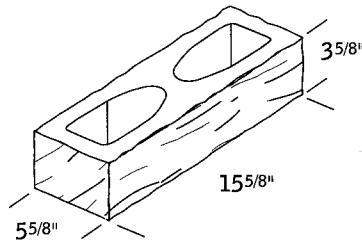
6"x 4"x 8"



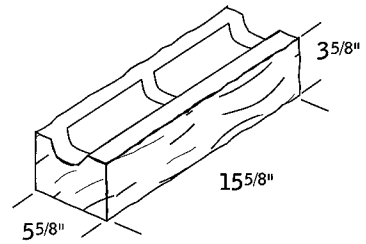
6"x 4"x 12"



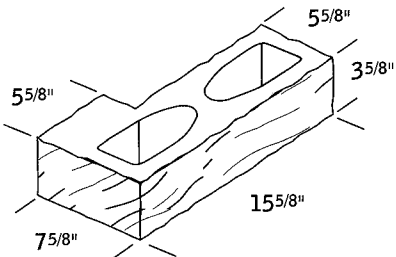
6"x 4"x 16"



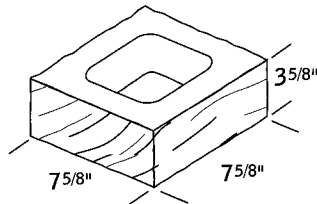
6"x 4"x 16" Solid Bottom*



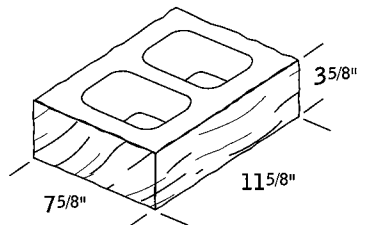
6"x 4"x 16" CBB
(In factory saw cut only)



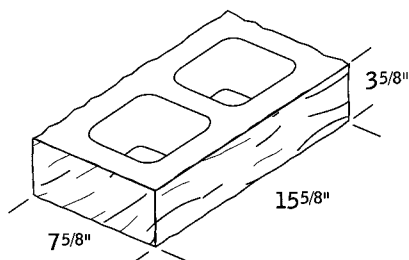
6"x 4"x 16" Corner*



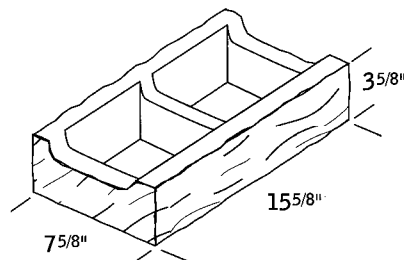
8"x 4"x 8"



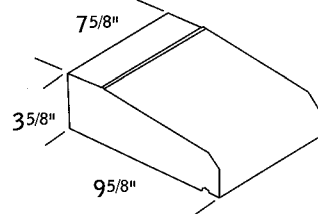
8"x 4"x 12"



8"x 4"x 16"

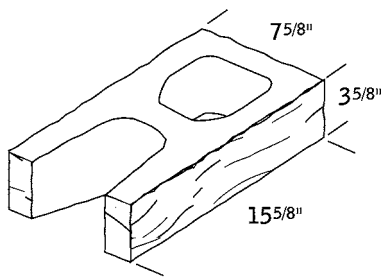


8"x 4"x 16" CBB

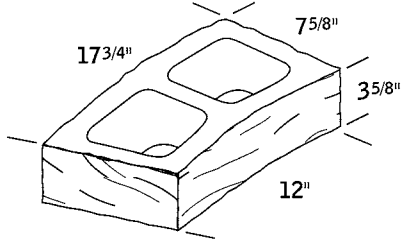


10"x 4"x 8" Solid Sill Block

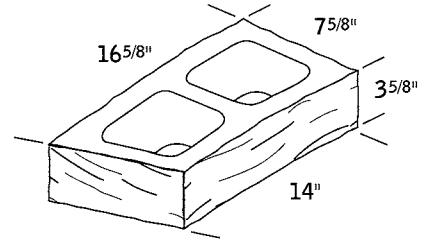
*Available on special order basis only.



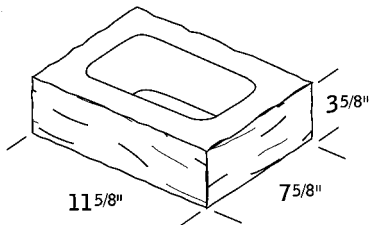
8"x 4"x 16" Open End*



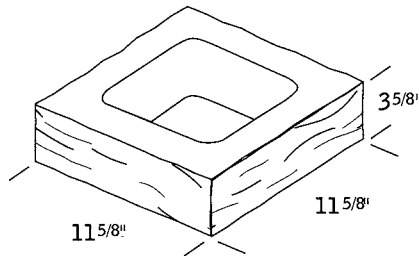
8"x 4"x 16" 2' Radius Type A*



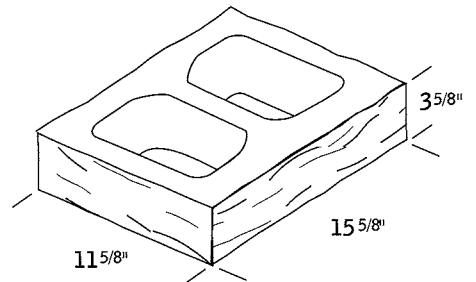
8"x 4"x 16" 2' Radius Type B*



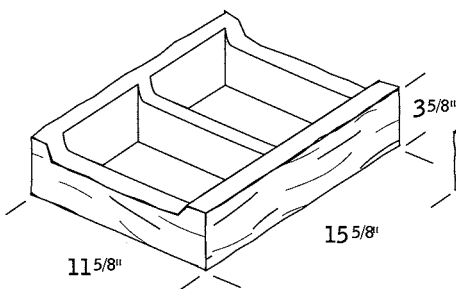
12"x 4"x 8"*



12"x 4"x 12"*



12"x 4"x 16"*

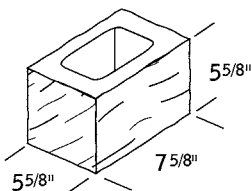


12"x 4"x 16" CBB*

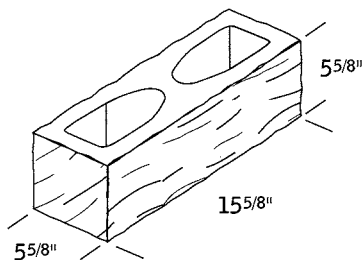


16"x 4"x 16"*

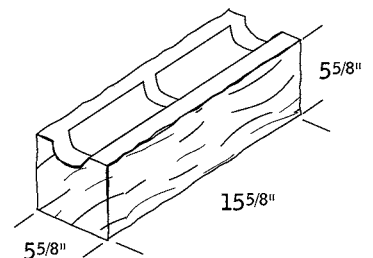
6" High Slump



6"x 6"x 8"*



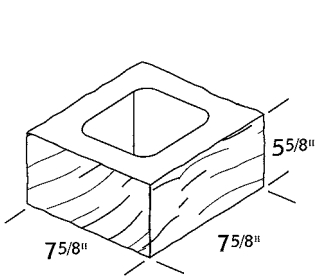
6"x 6"x 16"*



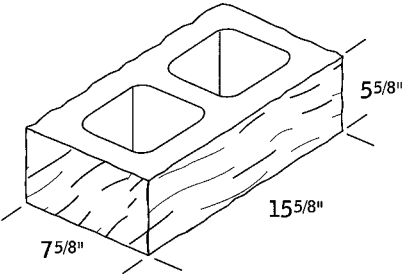
6"x 6"x 16" CBB*

*Available on special order basis only.

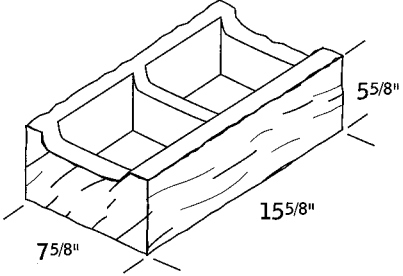
SLUMP BLOCK



8" x 6" x 8"*



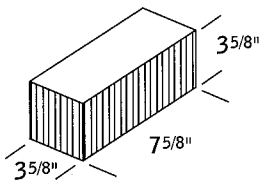
8" x 6" x 16"*



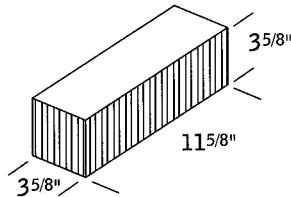
8" x 6" x 16" CBB*

*Available on special order basis only.

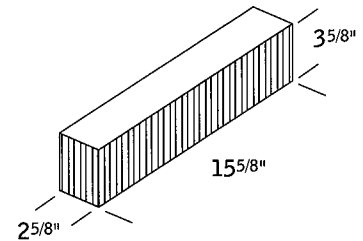
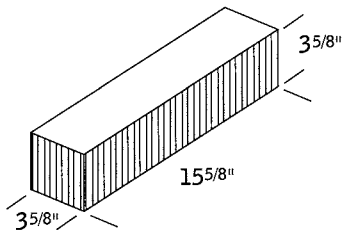
Founders Finish units can be striated or smooth, flashed or a single color. When the units are flashed, a liquid color pigment is sprayed into the mold just before compaction. This ensures that flashing will be random on the units. The random flashing and typical 4" height allows Founders Finish to create a visual effect similar to brick. Founders Finish is a normal weight hollow load bearing concrete masonry unit, Units are available in a variety of recommended colors or colored blends. All Founders Finish units are available on a special order basis.

Solid


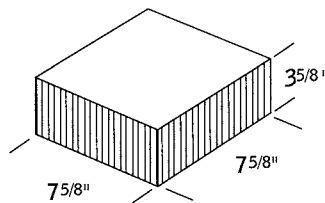
4" x 4" x 8"*



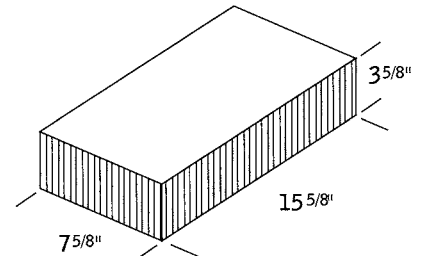
4" x 4" x 12"*


 3" x 4" x 16"* Roman
smooth one side


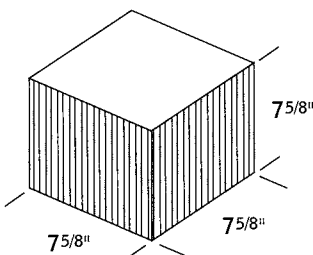
4" x 4" x 16"*



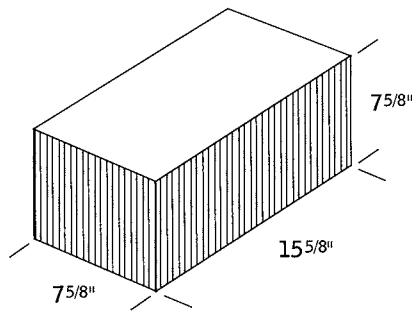
8" x 4" x 8"*



8" x 4" x 16"*



8" x 8" x 8"*

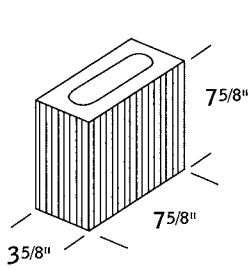


8" x 8" x 16"*

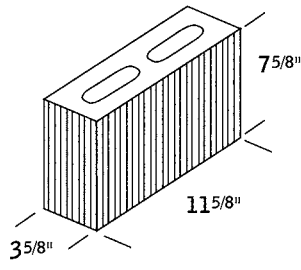
*Available on special order basis only.

FOUNDERS FINISH BLOCK

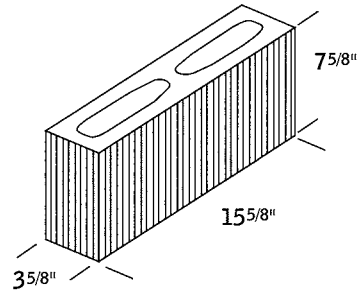
4"



4" x 8" x 8"*

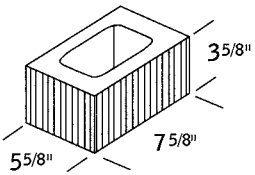


4" x 8" x 12"*

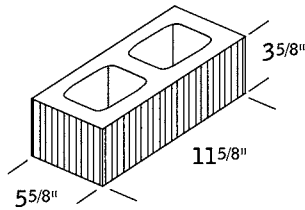


4" x 8" x 16"*

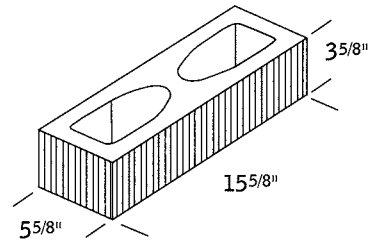
6"



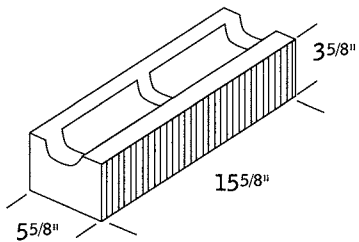
6" x 4" x 8"*



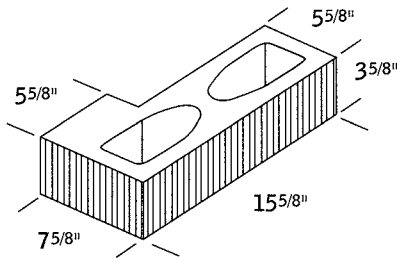
6" x 4" x 12"*



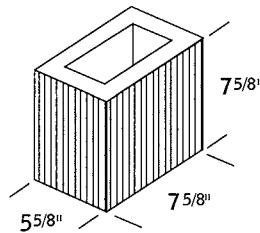
6" x 4" x 16"*



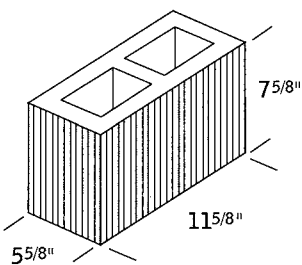
6" x 4" x 16" CBB*
(In factory saw cut only)



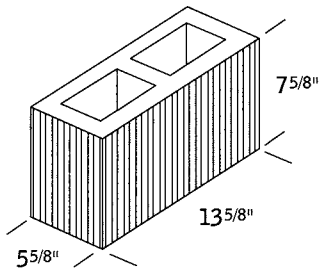
6" x 4" x 16" Corner*



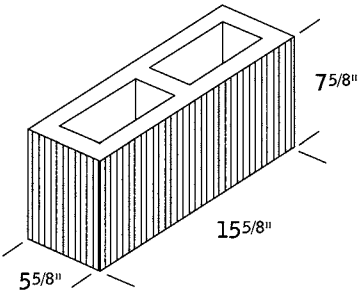
6" x 8" x 8"*



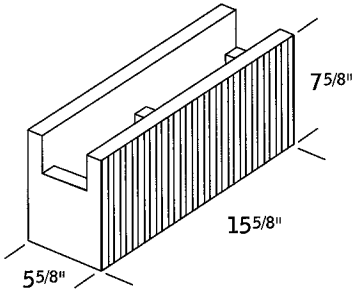
6" x 8" x 12"*



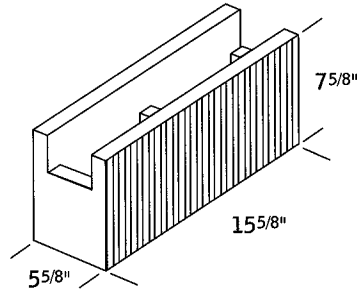
6" x 8" x 14"*



6" x 8" x 16"*

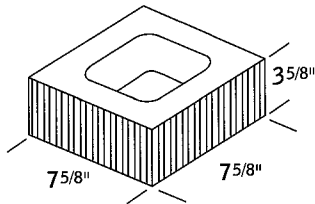


6" x 8" x 16" DCBB*

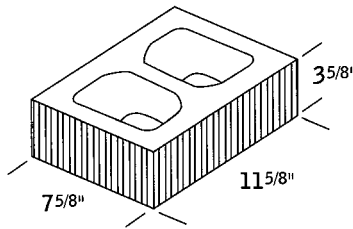


6" x 8" x 16" SBBB*

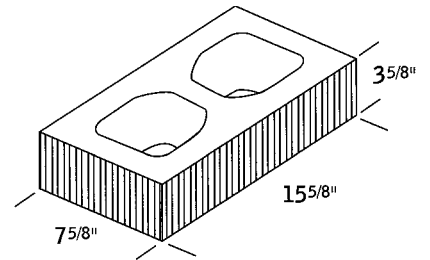
8"



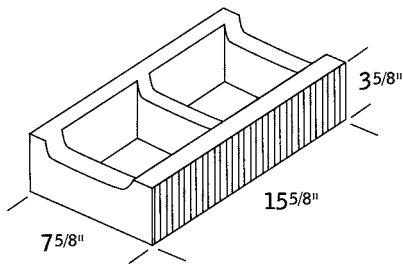
8" x 4" x 8"*



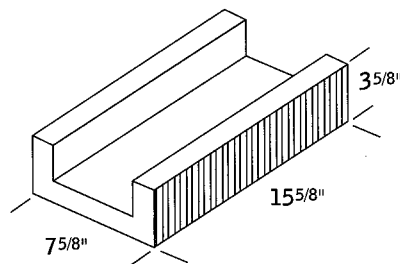
8" x 4" x 12"*



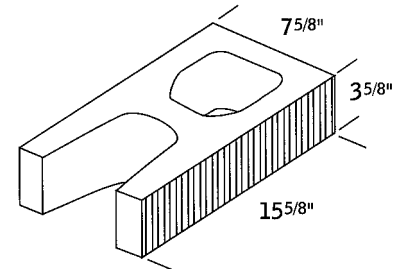
8" x 4" x 16"*



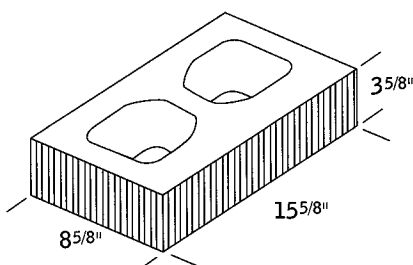
8" x 4" x 16" CBB*



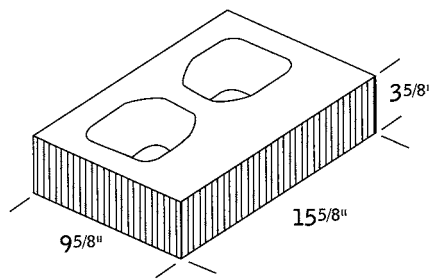
8" x 4" x 16" Lintel*



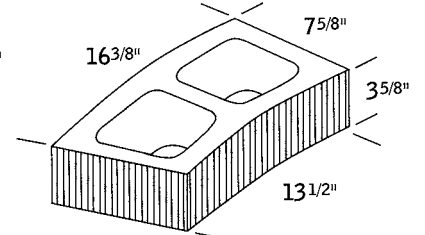
8" x 4" x 16" OE1E*



9" x 4" x 16" Rowlock*



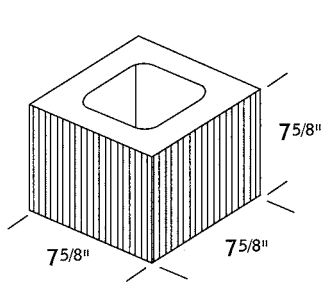
10" x 4" x 16" Offset Core*



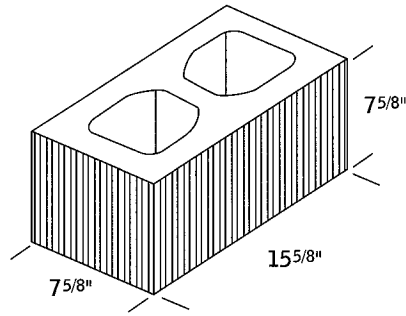
4' Radius Type A
8" x 4" x 16"*

*Available on special order basis only.

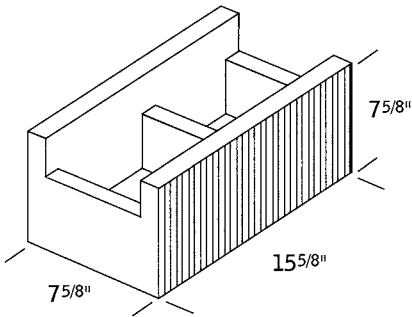
FOUNDERS FINISH BLOCK



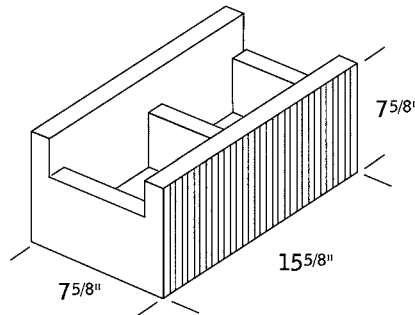
8" x 8" x 8"*



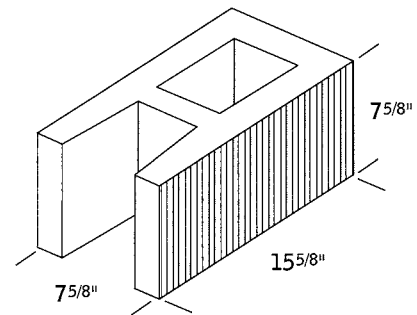
8" x 8" x 16"*



8" x 8" x 16" DCBB*

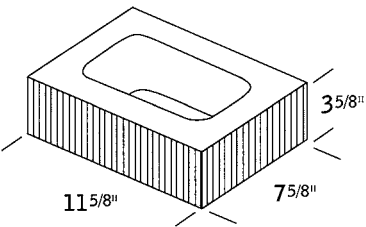


8" x 8" x 16" Deep Cut SBBB*

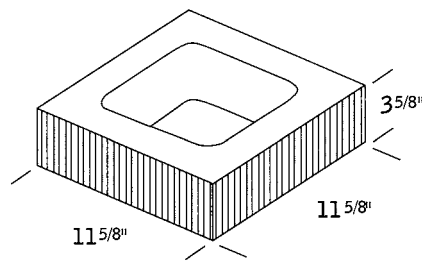


8" x 8" x 16" OE1E*

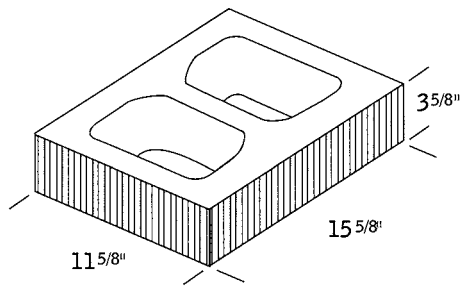
12"



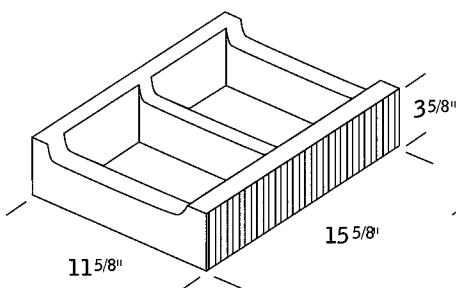
12" x 4" x 8"*



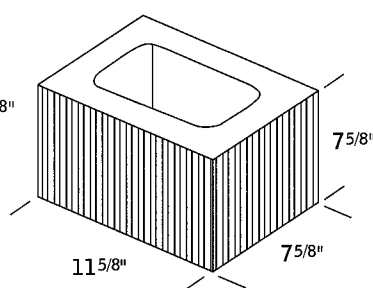
12" x 4" x 12"*



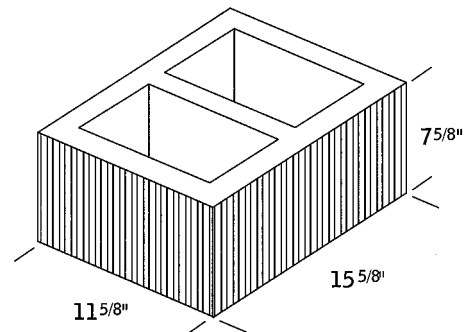
12" x 4" x 16"*



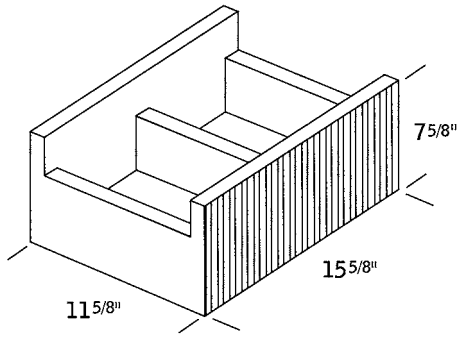
12" x 4" x 16" CBB*



12" x 8" x 8"*



12" x 8" x 16"*

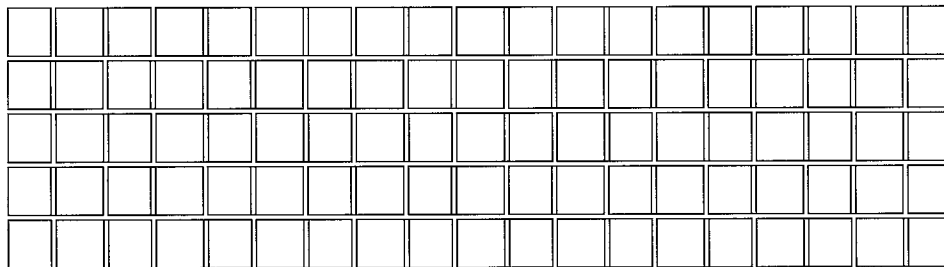


12"x 8"x 16" DCBB*

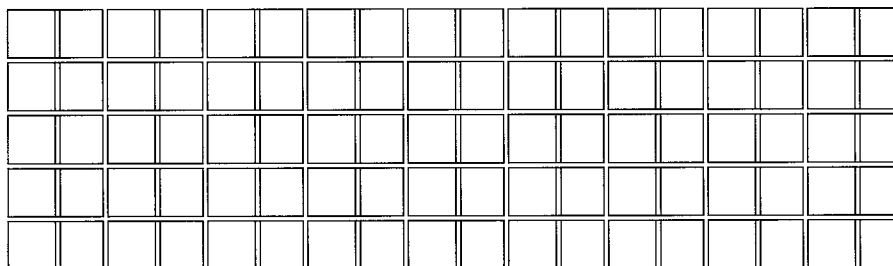
VERTICAL SCORED BLOCK

Scored block is accomplished by using a mold with the desired characteristics. Many of the scored units are designed so that the vertical scores appear in the finished wall as unwavering straight lines or stack bond, even when laid up in regular running bond in which joints alternate over the center of units in courses above and below. The vertical score is used to simulate the mortar joints of the units above and below. Vertical Scored Block is available as both a medium weight hollow load bearing concrete masonry unit and a normal weight hollow load bearing

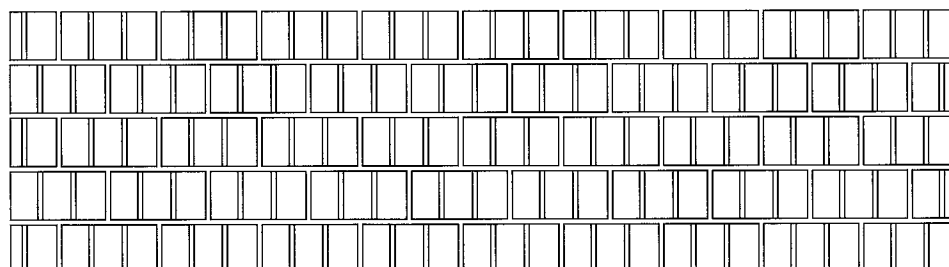
concrete masonry units. Vertical scores can number from one to eleven on one or both sides of the unit. Gray vertical single scored block is available in some shapes and sizes on a stock basis. Vertical Scored Block units are also available in a variety of recommended colors or custom colors on a special order basis.



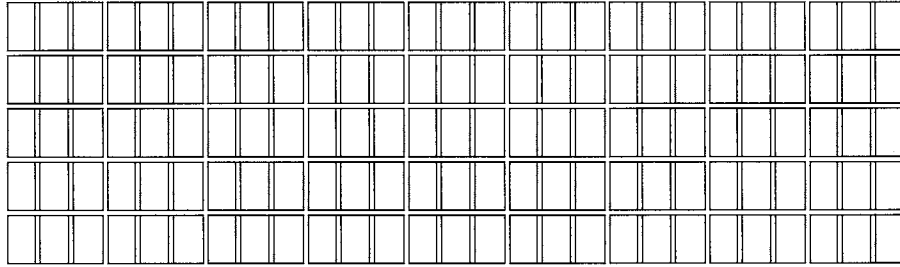
Running Bond One Score



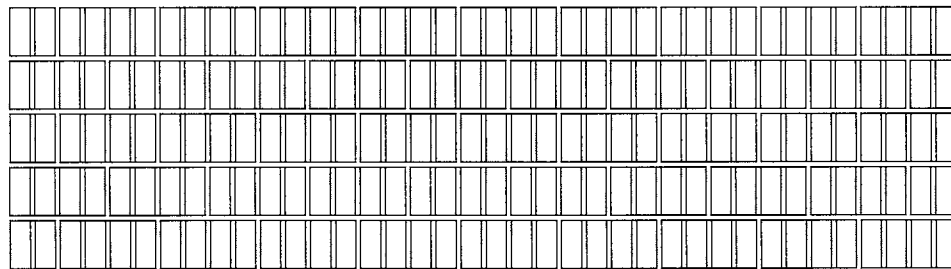
Stacked Bond One Score



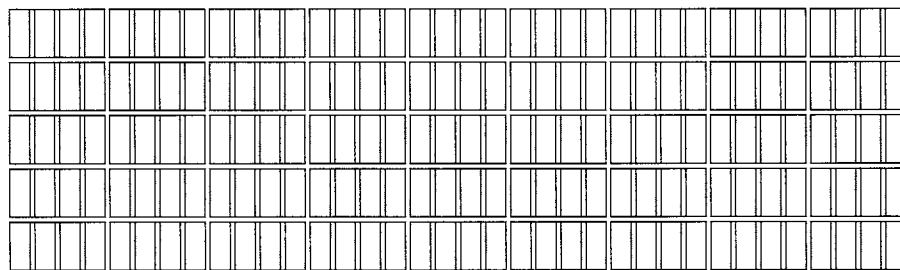
Running Bond Two Scores



Stacked Bond Two Scores



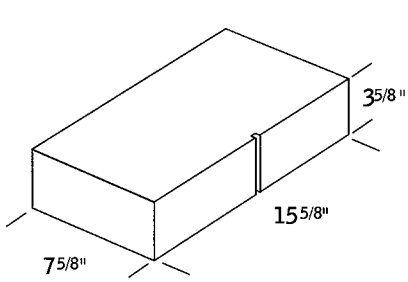
Running Bond Three Scores



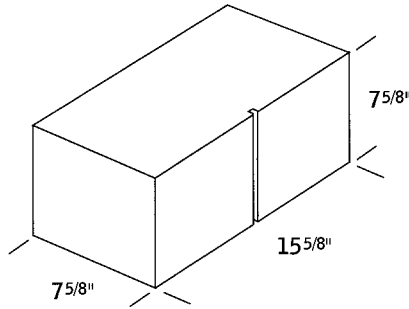
Stacked Bond Three Scores

VERTICAL SCORED BLOCK

Solid

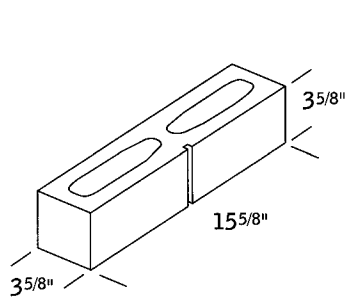


8" x 4" x 16"*

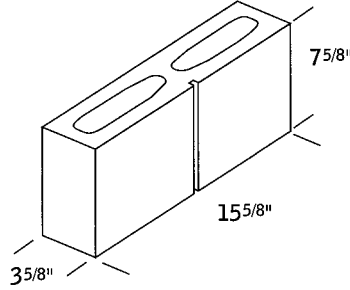


8" x 8" x 16"*

4"

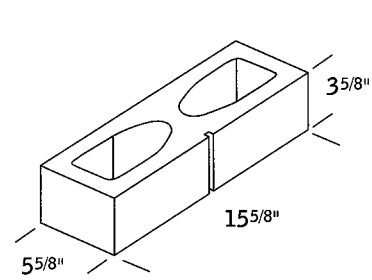


4" x 4" x 16"*

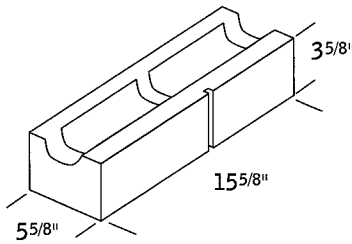


4" x 8" x 16"*

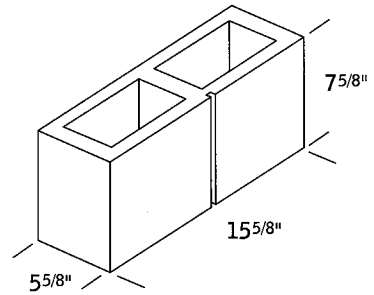
6"



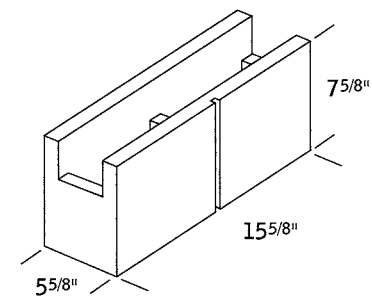
6" x 4" x 16"*



6" x 4" x 16" CBB*

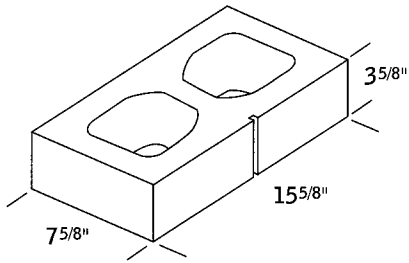


6" x 8" x 16"*

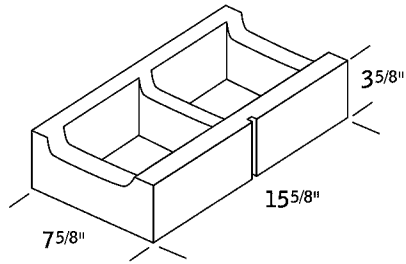


6" x 8" x 16" DCBB*

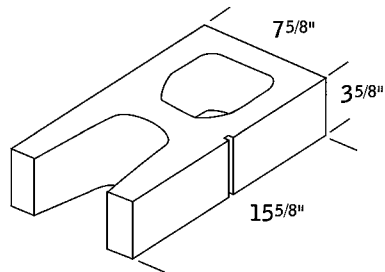
8"



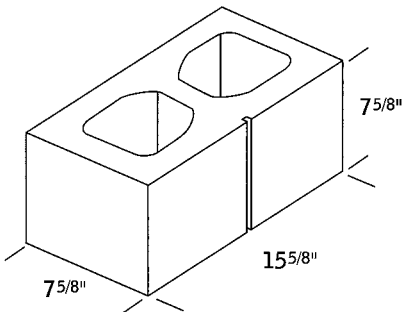
8"x 4"x 16"*



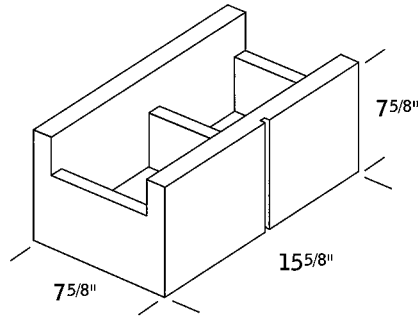
8"x 4"x 16" CBB*



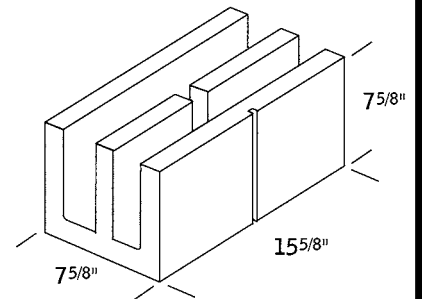
8"x 4"x 16" OE1E*



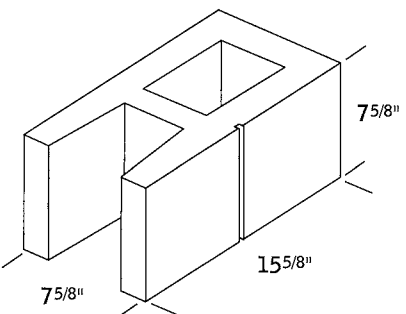
8"x 8"x 16"



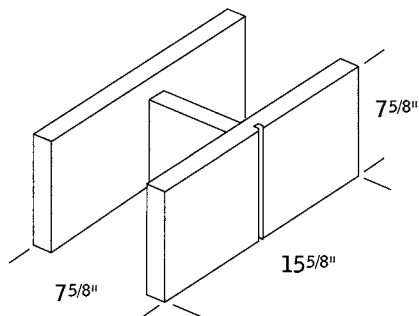
8"x 8"x 16" DCBB



8"x 8"x 16" SBBB*



8"x 8"x 16" OE1E*

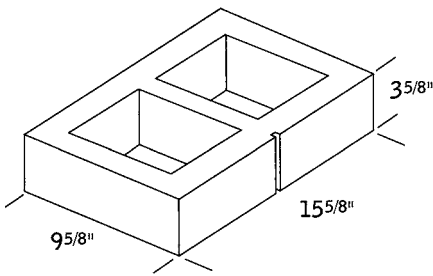


8"x 8"x 16" OE2E DCBB*

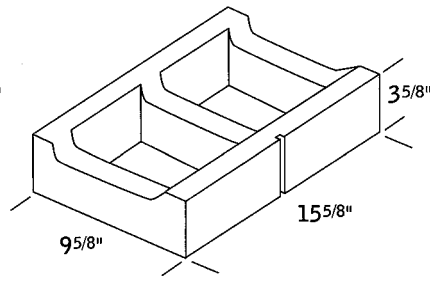
*Available on special order basis only.

VERTICAL SCORED BLOCK

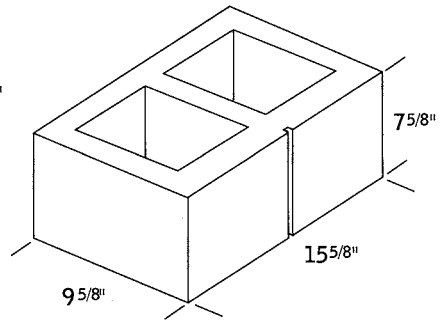
10"



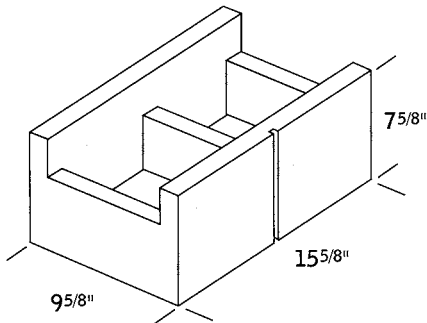
10" x 4" x 16"*



10" x 4" x 16" CBB*

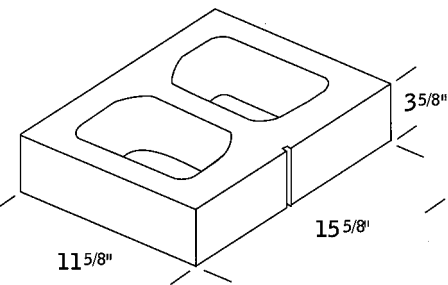


10" x 8" x 16"*

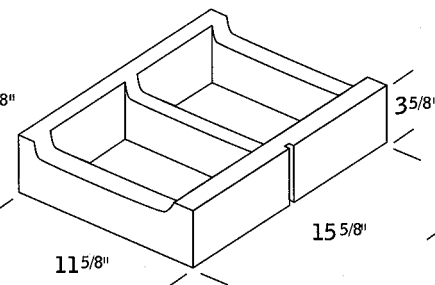


10" x 8" x 16" DCBB*

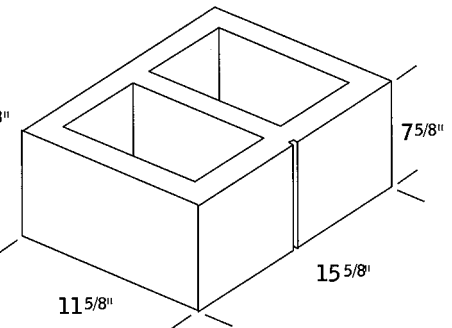
12"



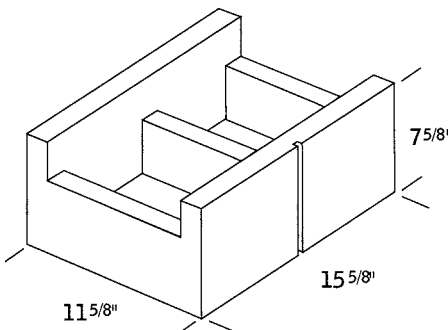
12" x 4" x 16"*



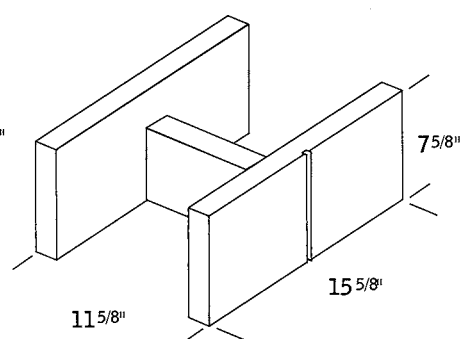
12" x 4" x 16" CBB*



12" x 8" x 16"*



12" x 8" x 16" DCBB*
also available Deep Cut SBBB*

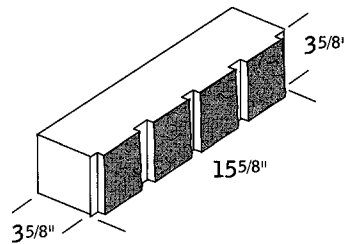
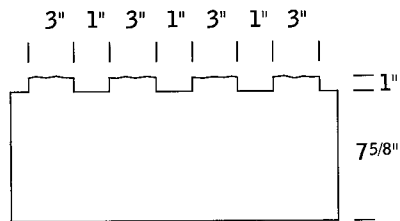


12" x 8" x 16" OE2E DCBB*

Sonora Block is accomplished by using a mold with the desired characteristics. Many of the ribbed units are so designed that the vertical ribs will appear in the finished wall as unwavering straight lines or stack bond, even when laid up in regular running bond in which joints alternate over the center of units in courses above and below. Sonora units are molded with two units attached face to face. The units are mechanically split apart after having been cured, leaving the split face with a rough texture, similar to natural stone. Because of the nature of the aggregates

used in the manufacturing process and the splitting process itself, no two units are exactly the same. The splitting process reveals the aggregates used in the block, so different aggregates will give different appearances. Sonora Block is available as both medium weight hollow load bearing concrete masonry units and normal weight hollow load bearing concrete masonry units. Sonora Block is available in a variety of recommended colors on a special order basis.

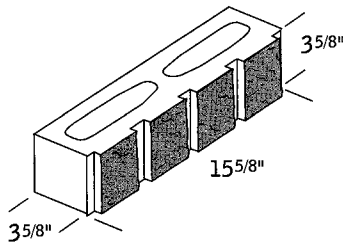
Solid Block



Top View

5"x 4"x 16" SNIS*

4" Block

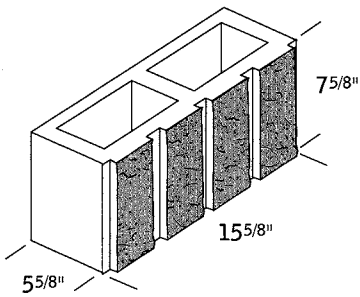


5"x 4"x 16" SNIS*

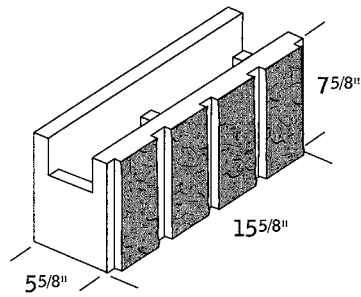
*Available on special order basis only.

SONORA BLOCK

6" Block

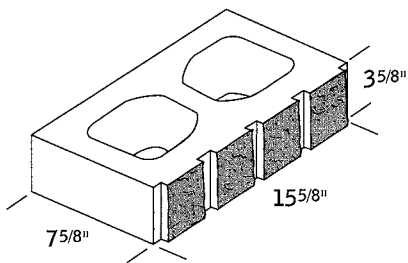


7" x 8" x 16" SN1S*

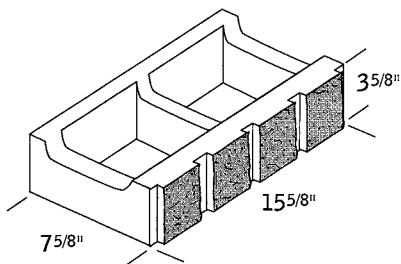


7" x 8" x 16" SN1S DCBB*

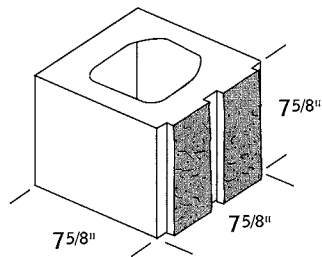
8" Block



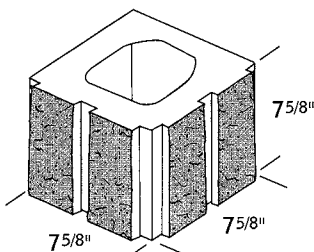
9" x 4" x 16" SN1S*



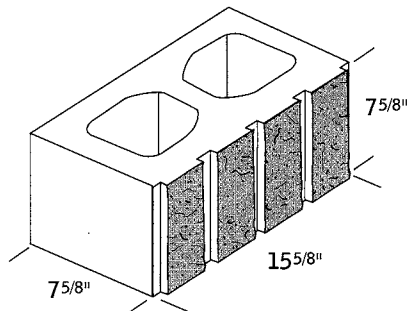
9" x 4" x 16" SN1S CBB*
(In factory saw cut only)



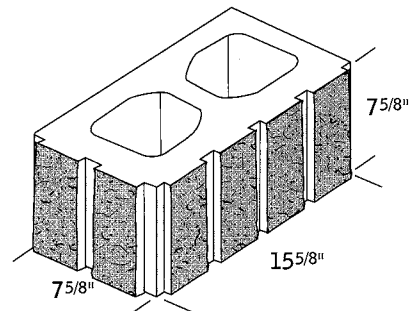
9" x 8" x 8" SN1S*
also available SN2S*



9" x 8" x 8" SN1S1E*
(In factory saw cut only)

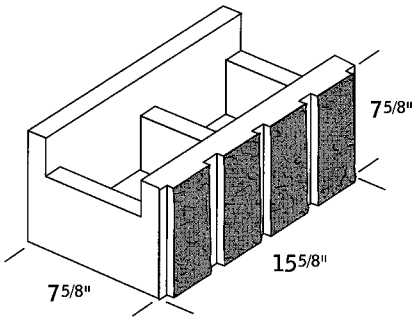


9" x 8" x 16" SN1S*
also available SN2S*



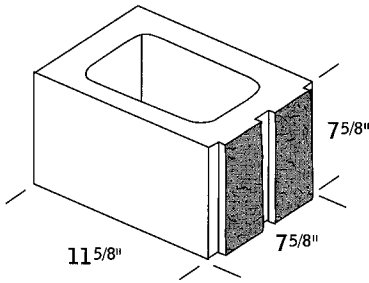
9" x 8" x 16" SN1S1E*

*Available on special order basis only.

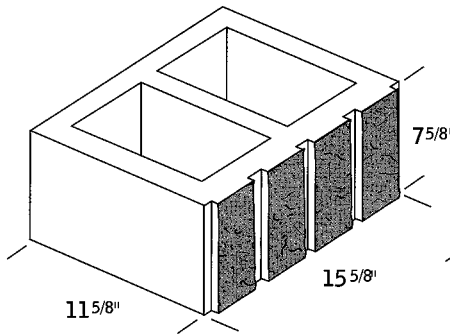


9" x 8" x 16" SN1S DCBB*
also available SN2S*

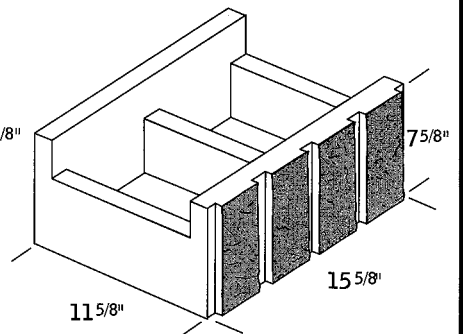
12" Block



13" x 8" x 8" SN1S*
also available SN2S*



13" x 8" x 16" SN1S*
also available SN2S*



13" x 8" x 16" SN1S DCBB*
also available SN2S DCBB*

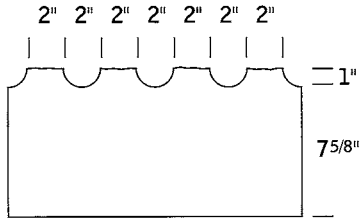
*Available on special order basis only.

FLUTED BLOCK

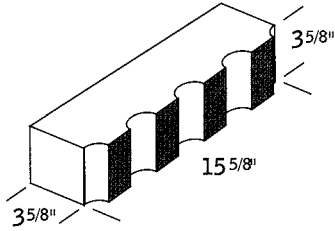
Fluted Block is accomplished by using a mold with the desired characteristics. Many of the fluted units are designed so that the vertical ribs will appear in the finished wall as unwavering straight lines or stack bond, even when laid up in regular running bond in which joints alternate over the center of units in courses above and below. Fluted units are molded with two units attached face to face. The units are mechanically split apart after having been cured, leaving the split face with a rough texture, similar to natural stone. Because of the nature

of the aggregates used in the manufacturing process and the splitting process itself, no two units are exactly the same. The splitting process reveals the aggregates used in the block, so different aggregates will give different appearances. Fluted Block is available as both medium weight hollow load bearing concrete masonry units and normal weight hollow load bearing concrete masonry units. Fluted Block is available in a variety of recommended colors on a special order basis.

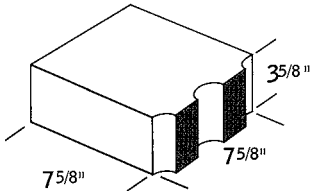
Solid Block



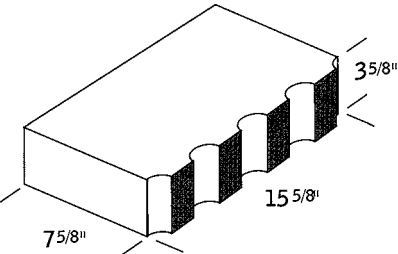
Top View



5"x 4"x 16" FL1S*

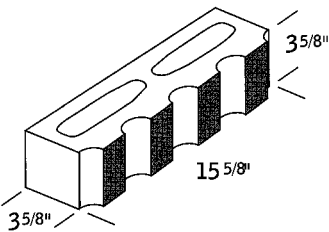


9"x 4"x 8" FL1S*
(In factory saw cut only)



9"x 4"x 16" FL1S*

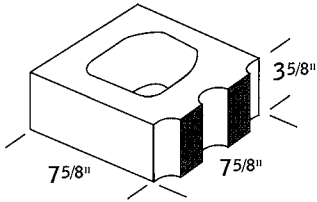
4" Block



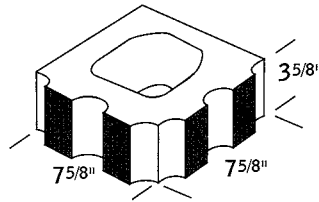
5"x 4"x 16" FL1S*

*Available on special order basis only.

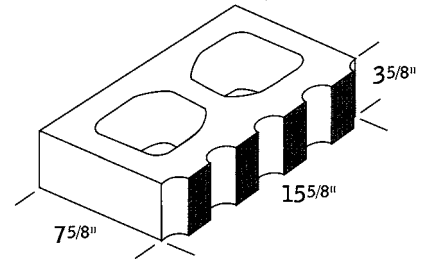
8" Block



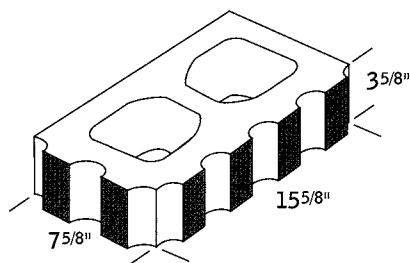
9" x 4" x 8" FL1S*
(In factory saw cut only)



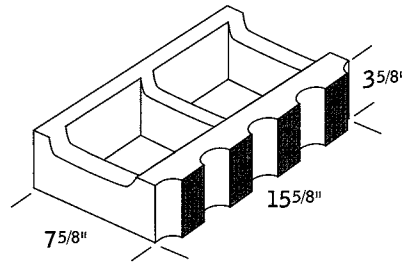
9" x 4" x 8" FL1S1E*
(In factory saw cut only)



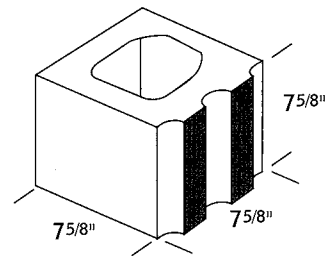
9" x 4" x 16" FL1S*



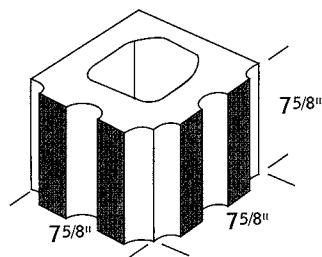
9" x 4" x 16" FL1S1E*



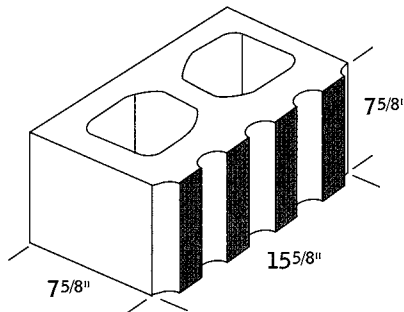
9" x 4" x 16" FL1S CBB*
(In factory saw cut only)



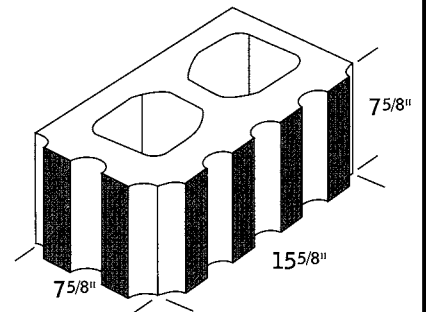
9" x 8" x 8" FL1S*



9" x 8" x 8" FL1S1E*
(In factory saw cut only)



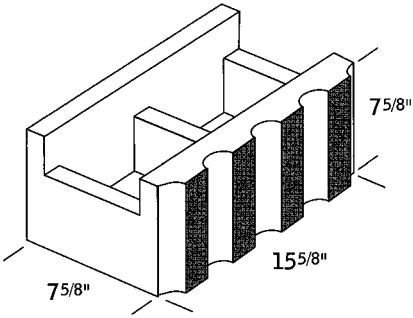
9" x 8" x 16" FL1S*



9" x 8" x 16" FL1S1E*

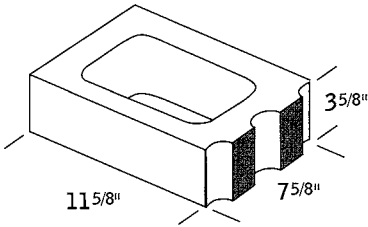
*Available on special order basis only.

FLUTED BLOCK

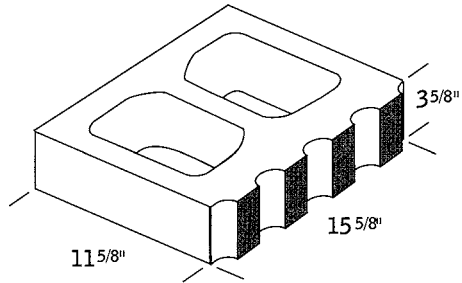


9"x 8"x 16" FL1S DCBB*

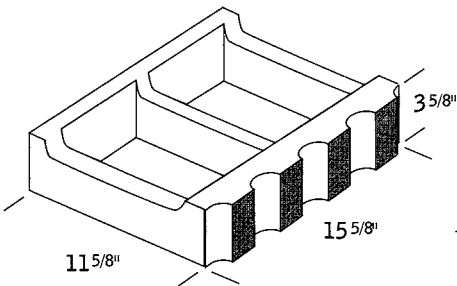
12" Block



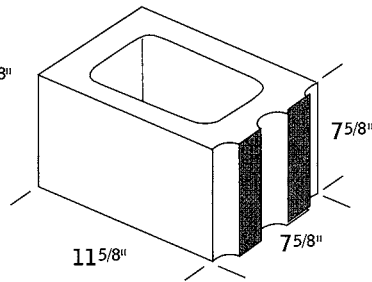
13"x 4"x 8" FL1S*
(In factory saw cut only)



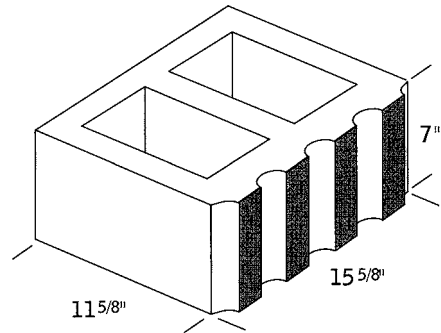
13"x 4"x 16" FL1S*



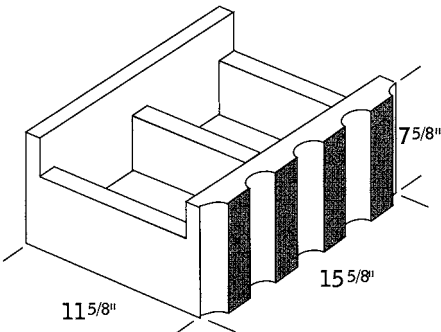
13"x 4"x 16" FL1S CBB*
(In factory saw cut only)



13"x 8"x 8" FL1S*



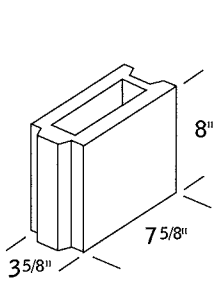
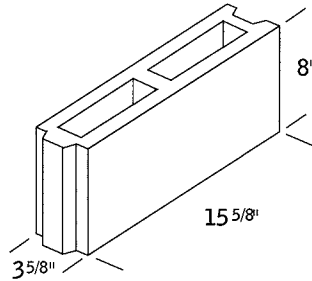
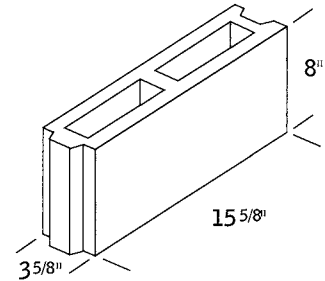
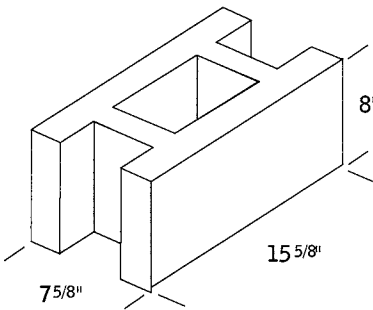
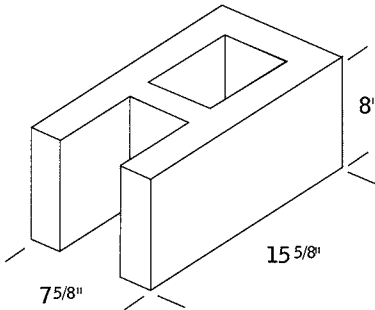
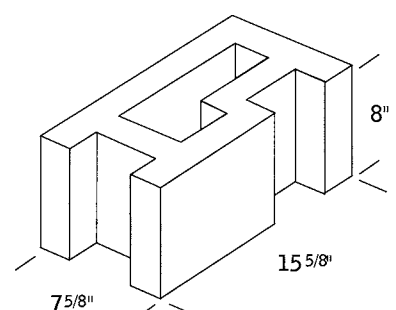
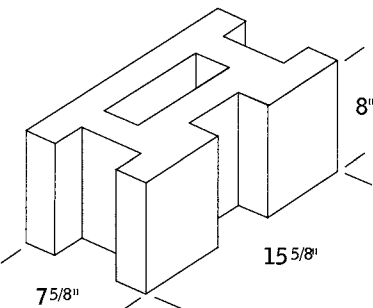
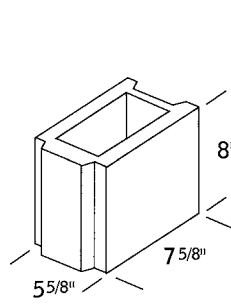
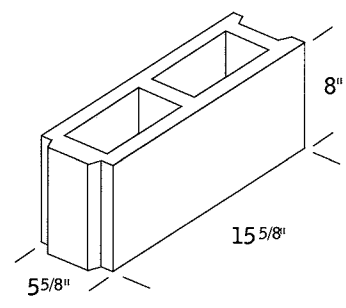
13"x 8"x 16" FL1S*



13"x 8"x 16" FL1S DCBB*

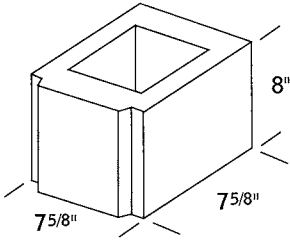
*Available on special order basis only.

Interlocking Fence Block are designed so that there is no mortar used at the vertical joints. The block interlock with each other in a tongue and groove fashion, thus allowing for easier and quicker installation while maintaining the highest quality. Pilaster block are designed to vertically reinforce the interlocking fence block at specific intervals. Interlocking Fence Block is available as a medium weight hollow non load bearing concrete masonry unit. Interlocking Fence Block units are available in two recommended colors on a stock basis. A variety of custom colors and architectural textures are available on a special order basis.

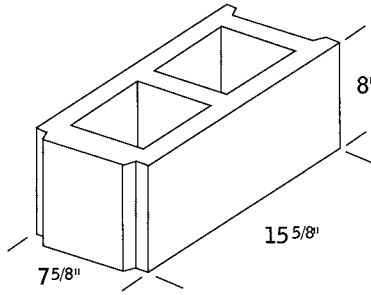

4" x 8" x 8" Interlock*

4" x 8" x 16" Interlock

**4" x 8" x 16"
Interlock Solid Bottom**

8" x 8" x 16" H Block

8" x 8" x 16" A Block

8" x 8" x 16" C Block

8" x 8" x 16" T Block

6" x 8" x 8" Interlock

**6" x 8" x 16" Interlock
also available Solid Bottom**

*Available on special order basis only.

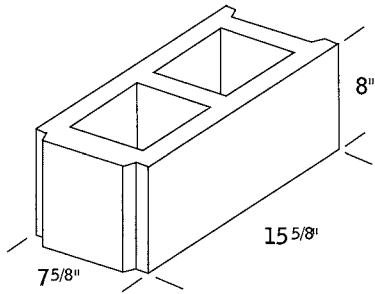
FENCE BLOCK



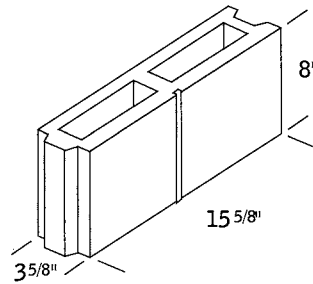
8" x 8" x 8" Interlock



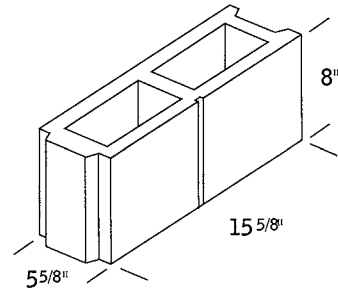
8" x 8" x 16" Interlock



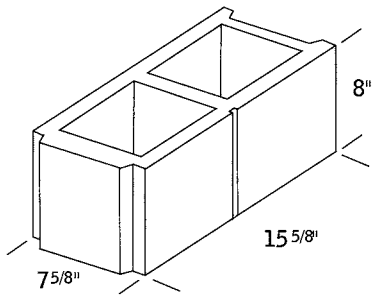
8" x 8" x 16" Interlock Solid Bottom*



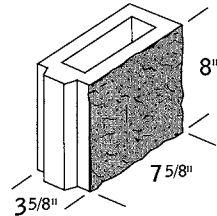
4" x 8" x 16" Interlock Score*



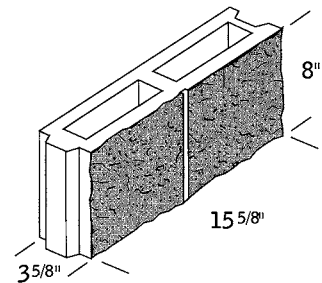
6" x 8" x 16" Interlock Score*



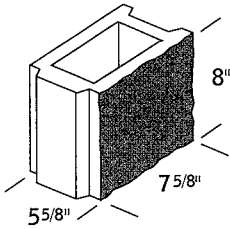
8" x 8" x 16" Interlock Score*



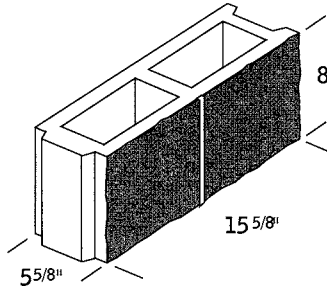
4" x 8" x 8" Interlock Split*
(In factory saw cut only)



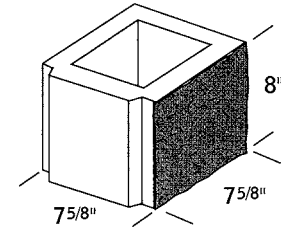
4" x 8" x 16" Interlock Split/Score*



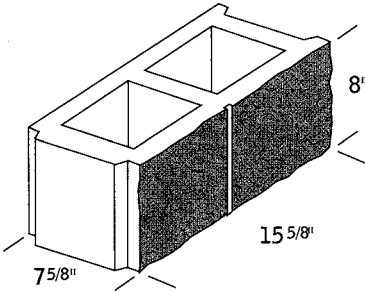
6" x 8" x 8" Interlock Split*



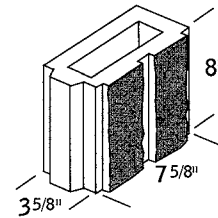
6" x 8" x 16" Interlock Split/Score*
also available Solid Bottom*



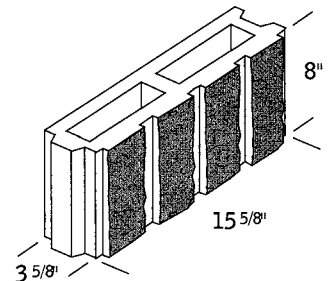
8" x 8" x 8" Interlock Split*
(In factory saw cut only)



8" x 8" x 16" Interlock Split/Score*



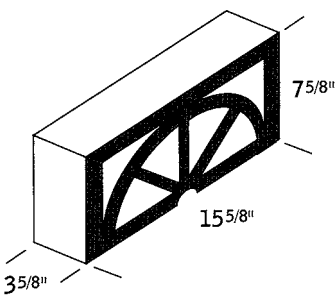
5" x 8" x 8" Interlock Sonora*
(In factory saw cut only)



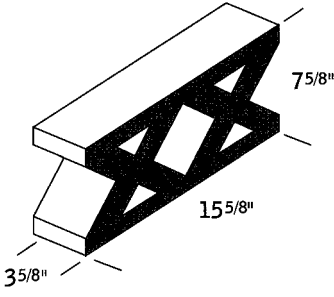
5" x 8" x 16" Interlock Sonora*

*Available on special order basis only.

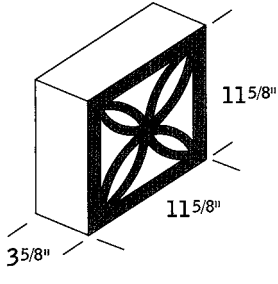
DECORATIVE BLOCK



4" x 8" x 16" Wagon Wheel (#12)



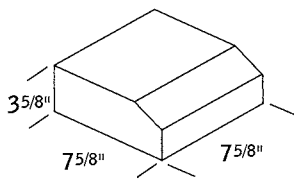
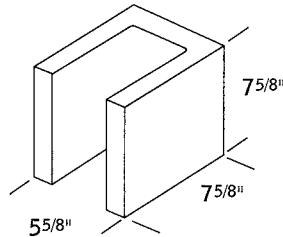
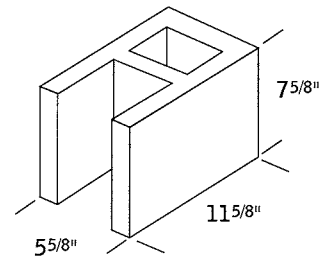
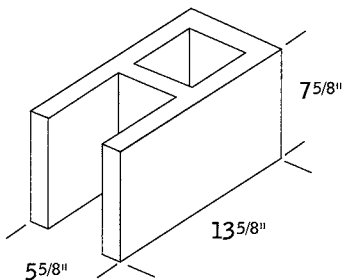
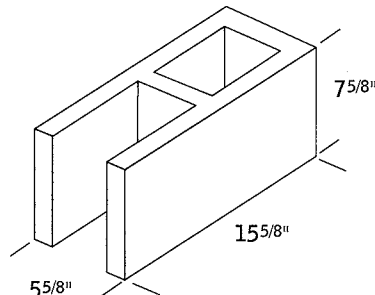
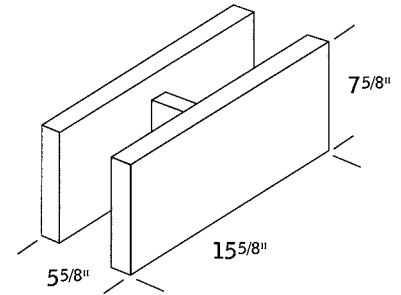
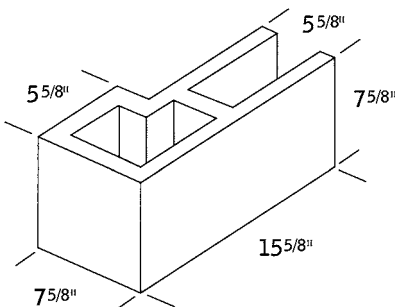
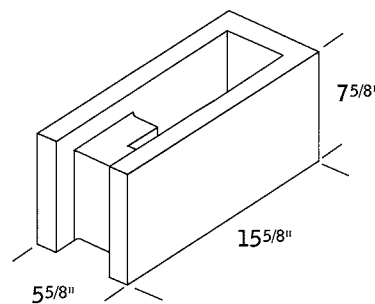
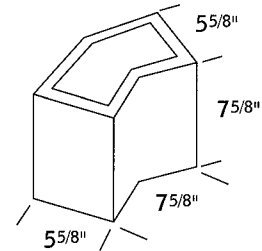
4" x 8" x 16" Sierra (Double X)*



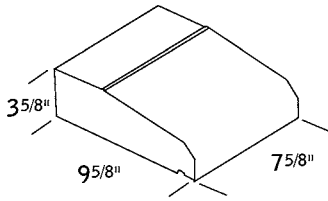
4" x 12" x 12" El Dorado (#7)

*Available on special order basis only.

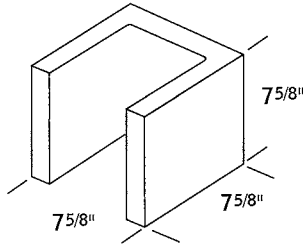
The Integra® Wall System is a post-tensioned concrete masonry wall system which combines the best of the construction industry into one package: Concrete block, post-tensioned reinforcement and efficient insulation. It may be used in either load bearing or non-loadbearing conditions. The Integra® Wall System can be used with all block finishes in a variety of recommended colors and architectural textures on a special order basis.

6"

8" x 4" x 8" Solid Sill Block

6" x 8" x 8" OE1E

6" x 8" x 12" OE1E

6" x 8" x 14" OE1E

6" x 8" x 16" OE1E

6" x 8" x 16" OE2E

6" x 8" x 16" Corner OE1E

6" x 8" x 16" Plate Bearing Block

6" x 8" x 8" Bay Window

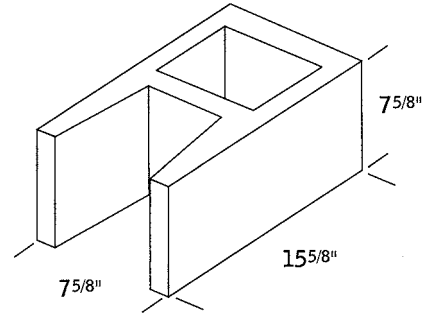
THE INTEGRA® WALL SYSTEM



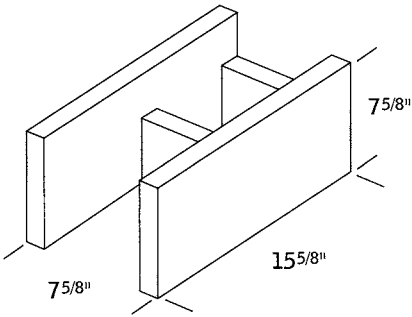
10" x 4" x 8" Sill Block



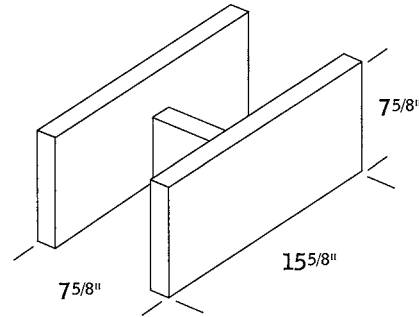
8" x 8" x 8" OE1E



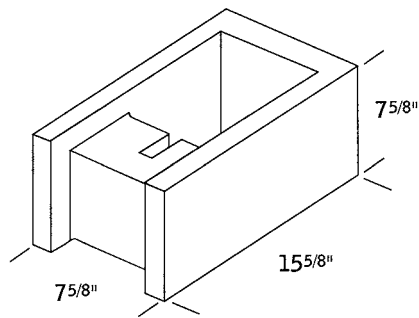
8" x 8" x 16" OE1E



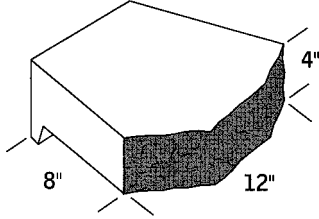
8" x 8" x 16" DCBB OE1E



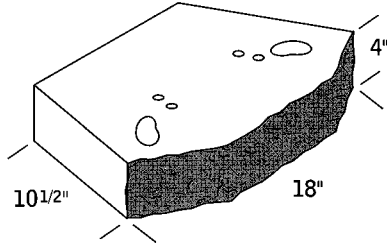
8" x 8" x 16" DCBB OE2E



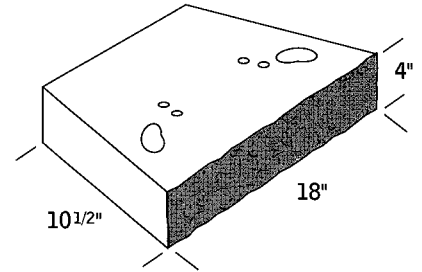
8" x 8" x 16" Plate Bearing Block



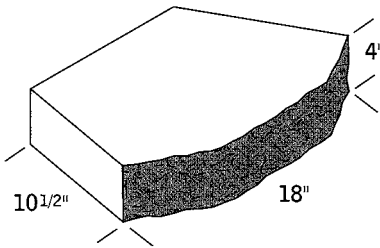
Castle Wall Unit 12"x 4"x 8"



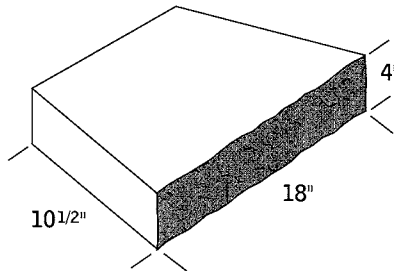
Mini Unit 10 1/2"x 4"x 18"



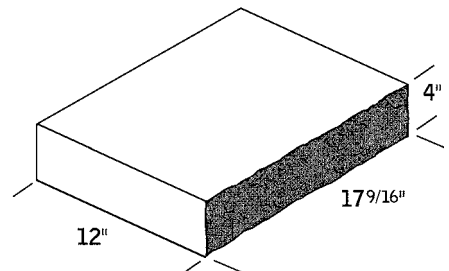
Mini Straightface 10 1/2"x 4"x 18"*



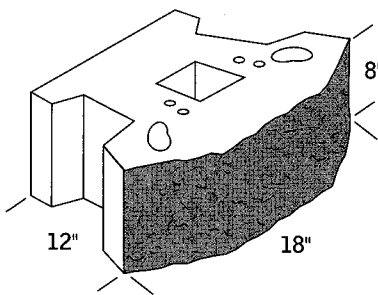
Mini Cap Unit 10 1/2"x 4"x 18"



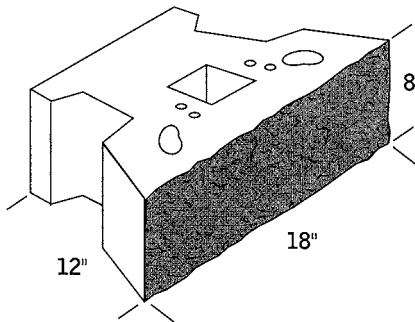
Mini Cap Straightface
10 1/2"x 4"x 18"*



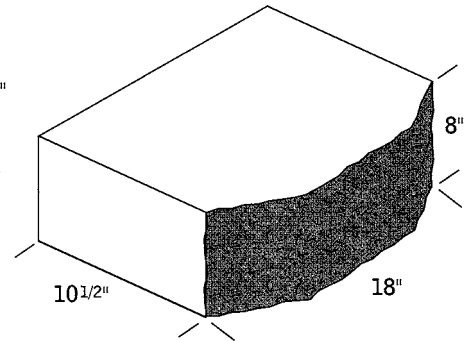
Mini Cap Straightface Straightside
12"x 4"x 18"*



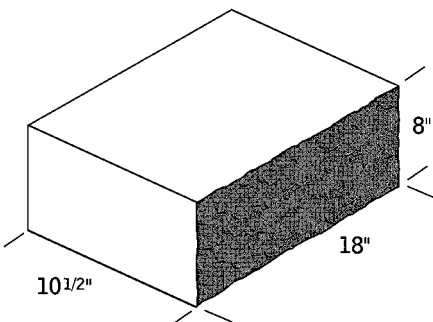
Compac Unit 12"x 8"x 18"



Compac Straightface 12"x 8"x 18"*



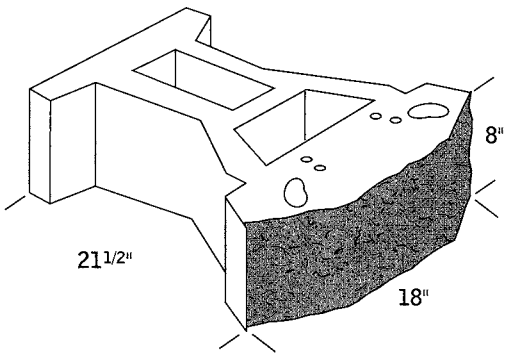
Compac Cap 10 1/2"x 8"x 18"*



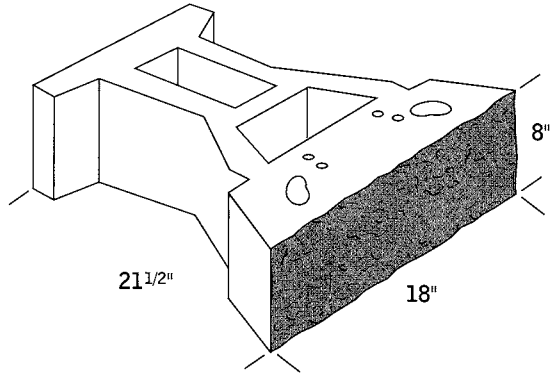
Compac Cap Straightface 10 1/2"x 8"x 18"*

*Available on special order basis only.

KEYSTONE® RETAINING WALL



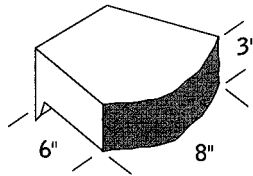
Standard Unit 21½" x 8" x 18"*



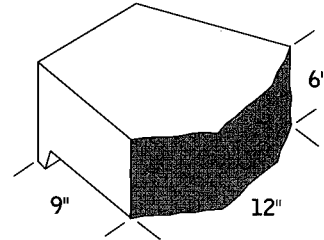
Standard Straightface 21½" x 8" x 18"*



5¼" Pin

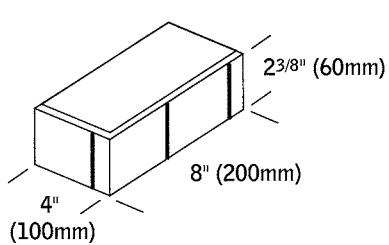


Lodgestone 8" x 3" x 6"

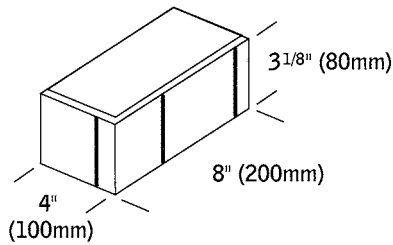


Rampart 12" x 6" x 8"

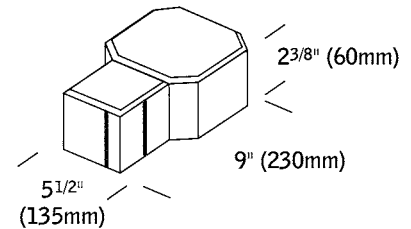
Many of Superlite Block's paver shapes are available in a number of colors on a stock basis. Please consult your Superlite Representative for availability of specific shapes and colors.



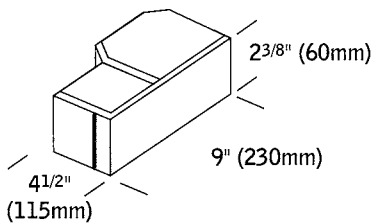
Holland 60mm



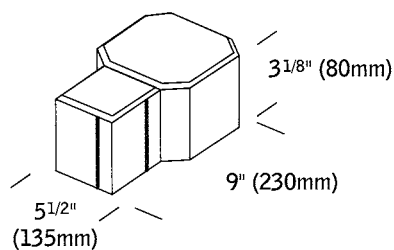
Holland 80mm*



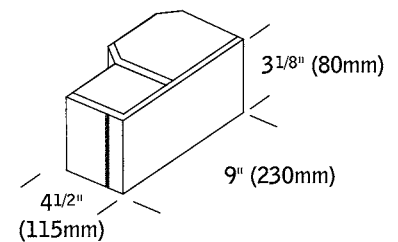
Keylock 60mm



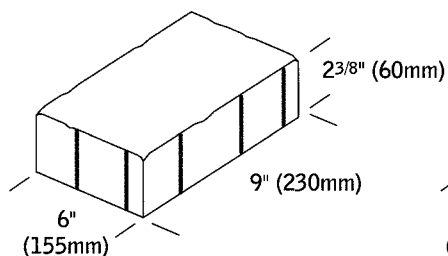
Keylock Edger 60mm



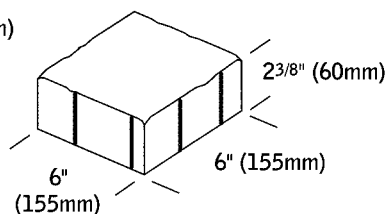
Keylock 80mm*



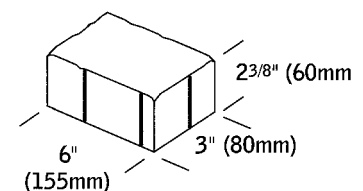
Keylock Edger 80mm*



Cambridge Cobble 60mm

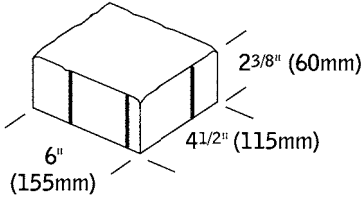


Cambridge Cobble Combo 60mm
6"x 6"

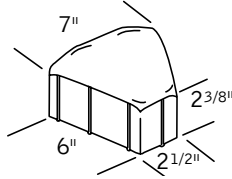


Cambridge Cobble Combo 60mm
3"x 6"

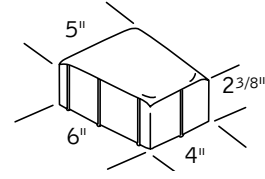
*Available on special order basis only.



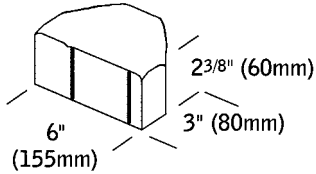
Cambridge Circle
4 1/2" x 6"



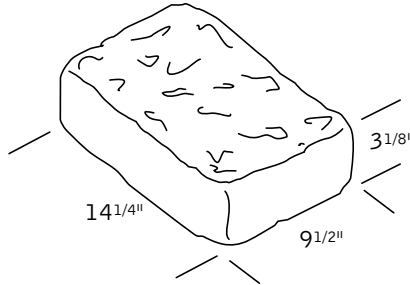
Cambridge Circle Small SC
7" x 6"



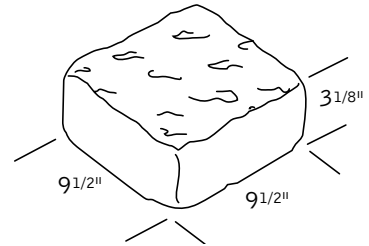
Cambridge Circle Large LC
5" x 6"



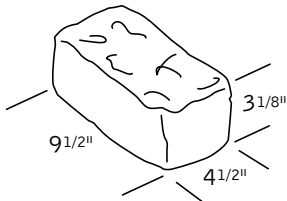
Cambridge Circle Center C
3" x 6"



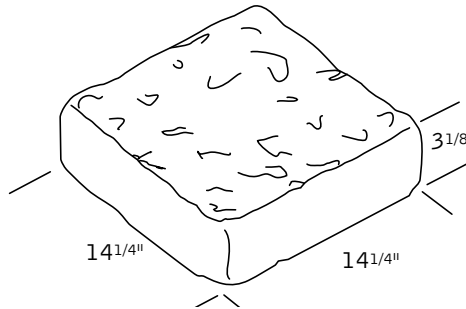
Mega Bergerac 3-piece Combo
14 1/4" x 9 1/2"



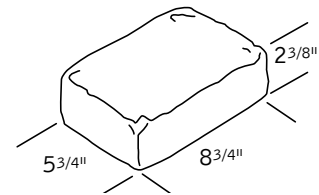
Mega Bergerac 3-piece Combo
9 1/2" x 9 1/2"



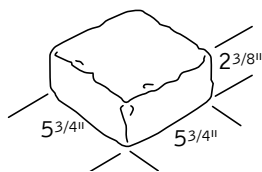
Mega Bergerac 3-piece Combo
4 3/4" x 9 1/2"



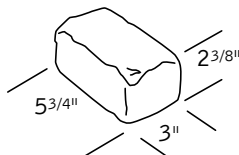
Mega Bergerac 14 1/4" x 14 1/4" square



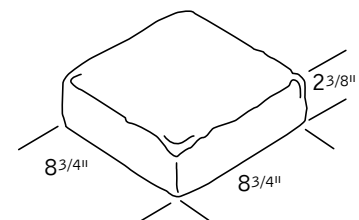
Dublin Modular 3-piece Combo
5 3/4" x 8 3/4"



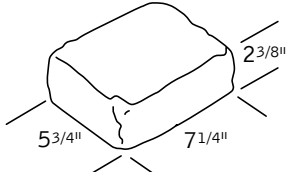
Dublin Modular 3-piece Combo/
Dublin Cobble Standard 4 piece
Dublin Circle B 5 3/4" x 5 3/4"



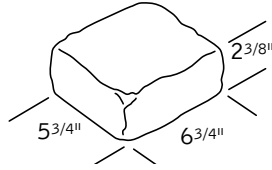
Dublin Modular 3-piece Combo
5 3/4" x 3"



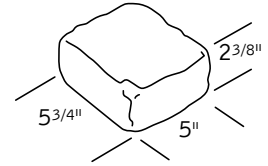
Dublin Modular 8 3/4" x 8 3/4" square



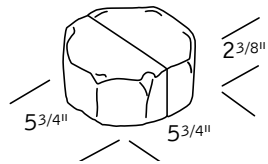
Dublin Cobble Standard 4 piece
5 3/4" x 7 1/4"



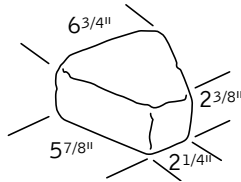
Dublin Cobble Standard 4 piece
5 3/4" x 6 3/4"



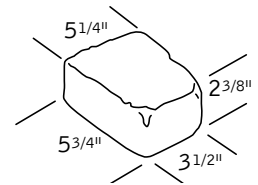
Dublin Cobble Standard 4 piece
Dublin Circle A
5 3/4" x 5"



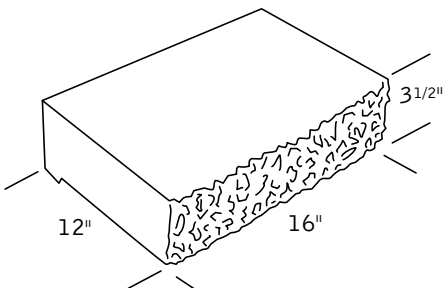
Dublin Circle E 5 3/4" x 5 3/4"



Dublin Circle F 5 3/4" x (6 3/4" - 2 1/4")



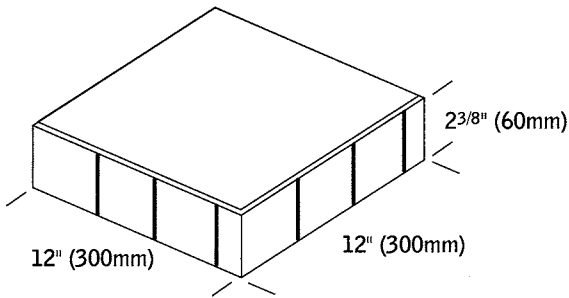
Dublin Circle G 5 3/4" x (5 1/4" - 3 1/2")



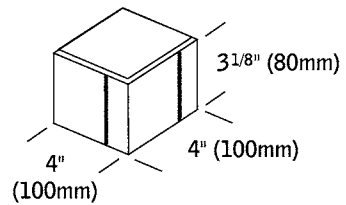
Celtik Straight Capping Module
12" x 16" x 3 1/2"

ADA Series

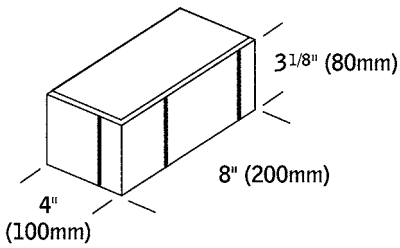
Concrete pavers typically have a 1/8" chamfer around the top edge of the pavers. Superlite Block's ADA series concrete pavers gave a 1/16" chamfer to make them even more user friendly.



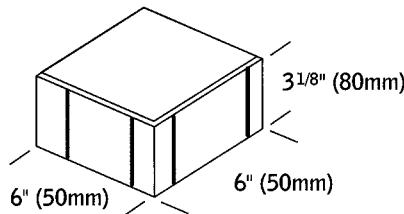
12"x 12" 60mm*



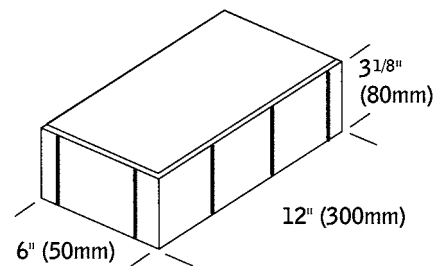
4"x 4" 80mm*



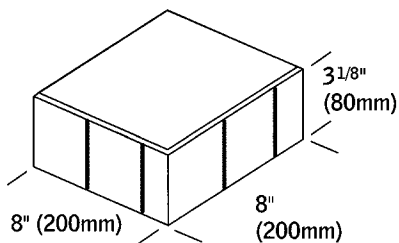
Holland 80mm*



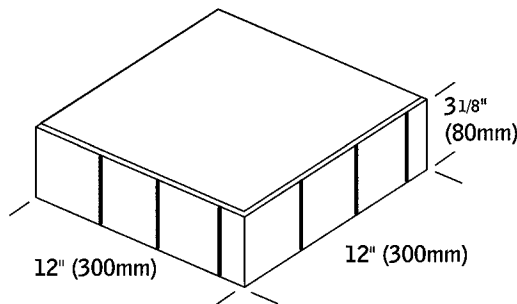
6"x 6" 80mm*



6"x 12" 80mm*



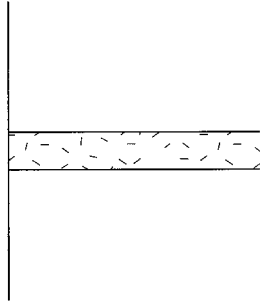
8"x 8" 80mm*



12"x 12" 80mm*

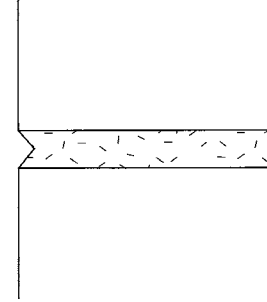
Flush Joint

With special care this joint can be a good weather joint.



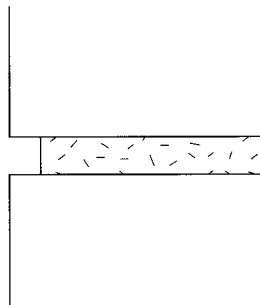
"V" Joint

It is generally used for horizontal joints with vertical joints flush. Small irregularities in laying are concealed and the pattern is emphasized. It is a good weather joint.



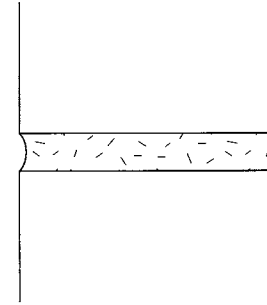
Raked Joint.

Strongly emphasizes horizontal joints but is a very poor weather joint.



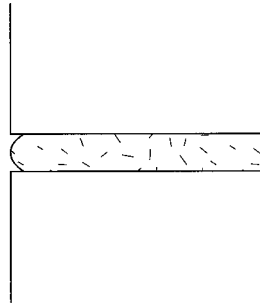
Concave Joint

Small irregularities in laying are concealed and the pattern is emphasized. It is a good weather joint.



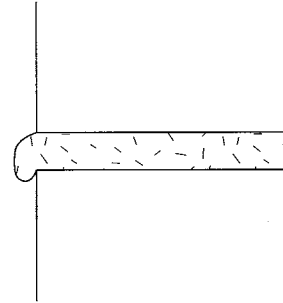
Beaded Joint

Nice visual effect but is a poor weather joint.



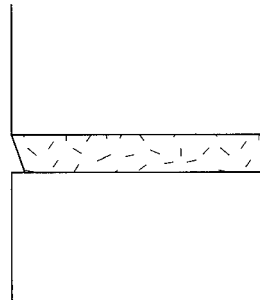
Squeeze Joint

Gives rustic effect but is a poor weather joint.



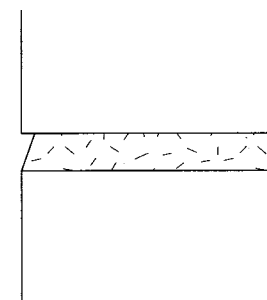
Struck Joint

Poor weather joint.

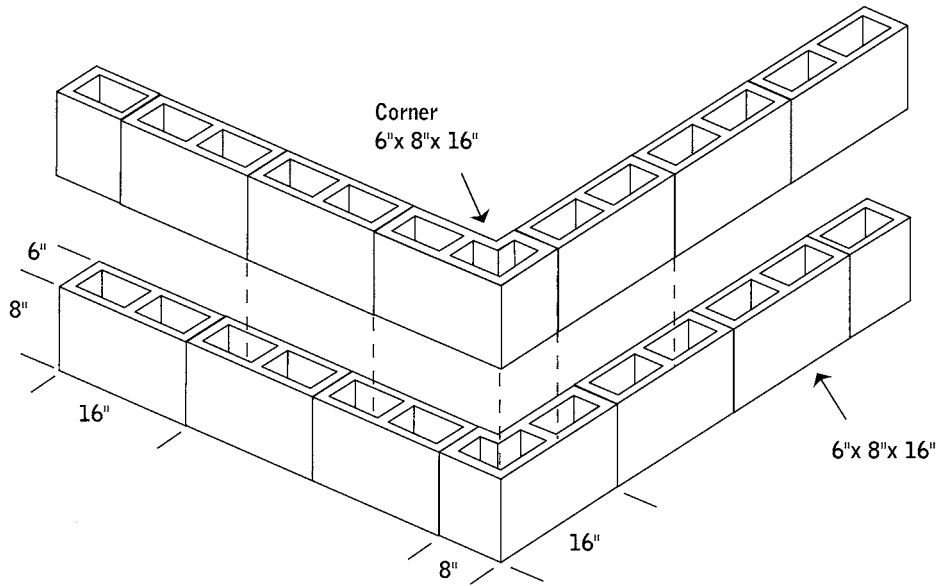


Weathered Joint.

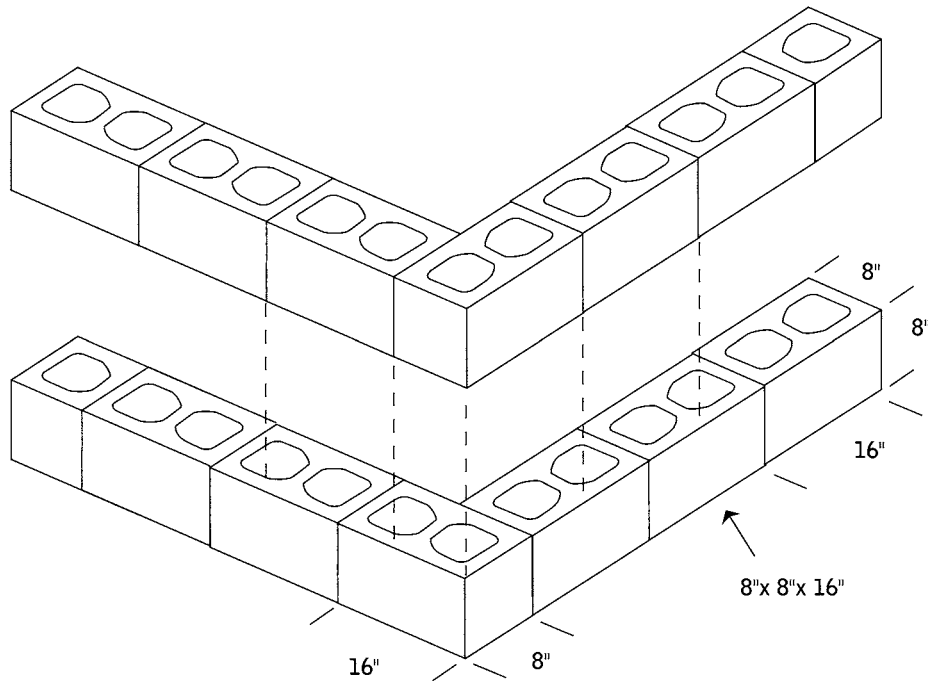
It is generally used to emphasize horizontal joint and is a good weather joint.



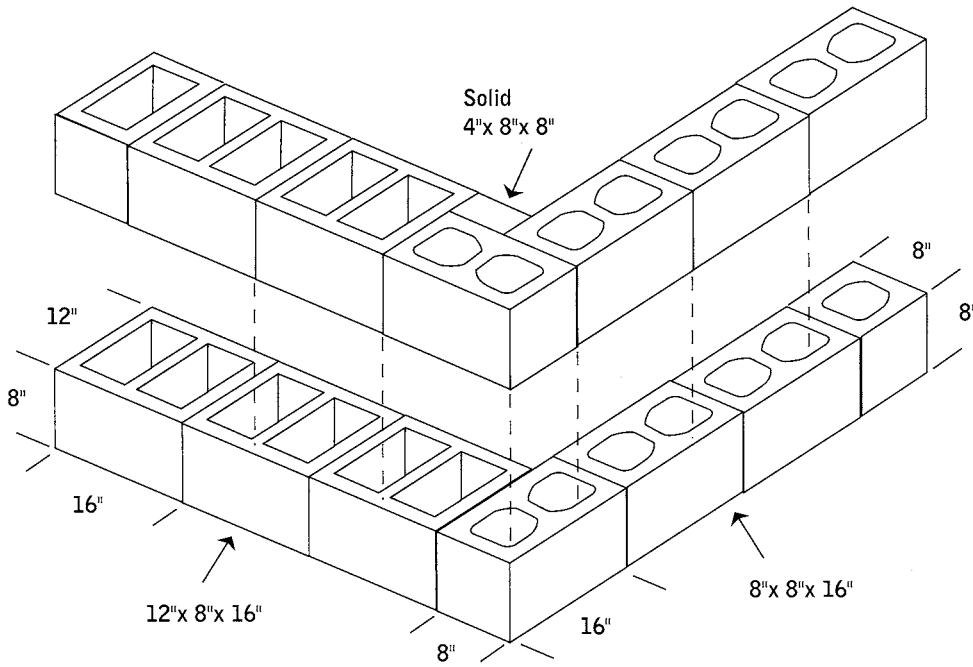
CORNER DETAILS



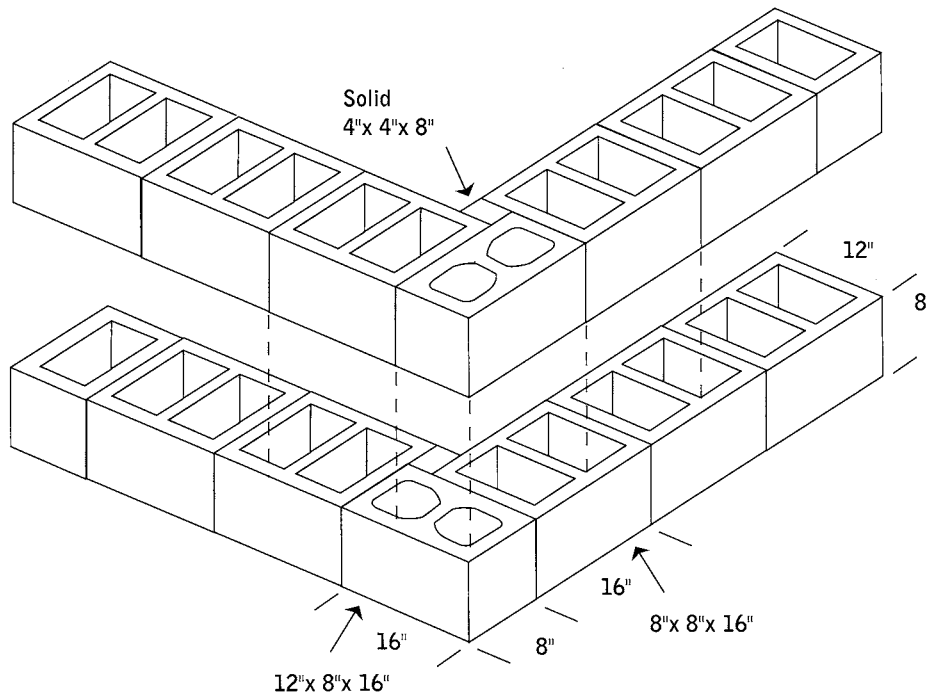
6" wall to 6" wall Alternate courses



8" wall to 8" wall Alternate courses

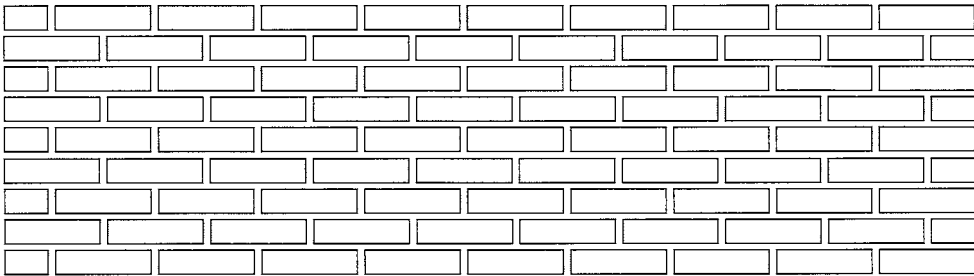


8" wall to 12" wall Alternate courses

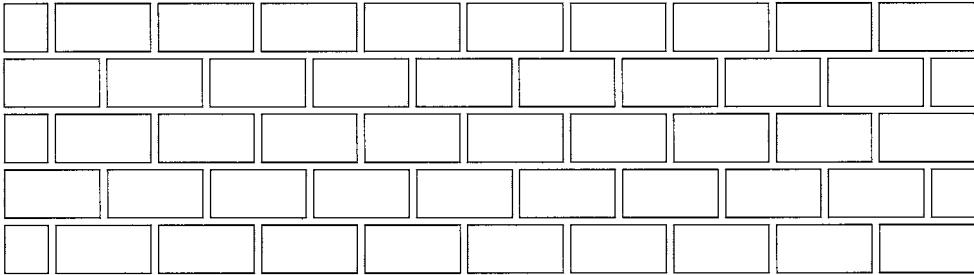


12" wall to 12" wall Alternate courses

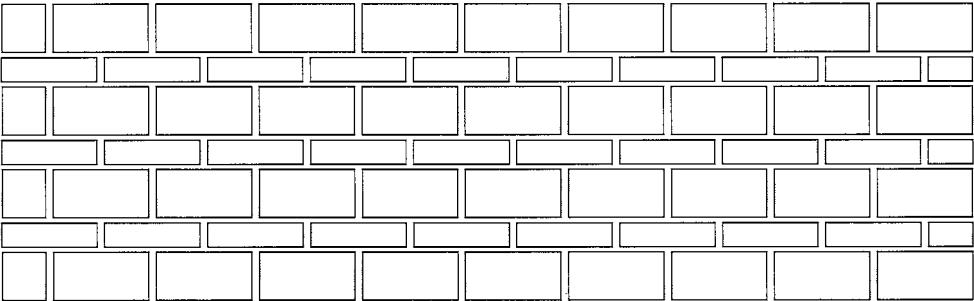
WALL PATTERNS



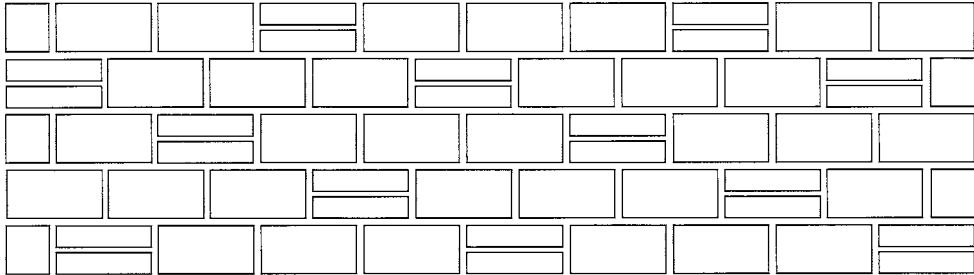
Running Bond 4"x 16" Units



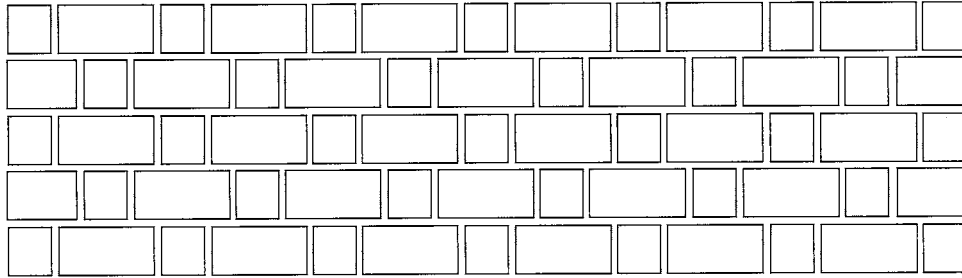
Running Bond 8"x 16" Units



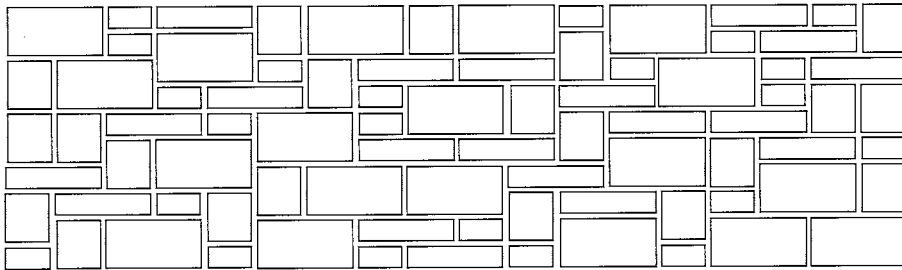
Coursed Ashlar 8"x 16" and 4"x 16" Units



Coursed Ashlar 8"x 16" and 4"x 16" Units



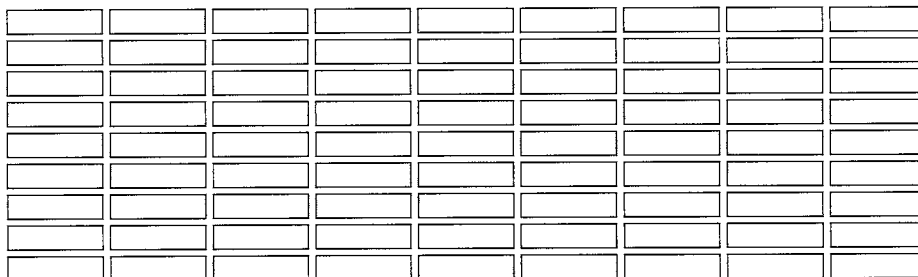
Coursed Ashlar Pattern 8"x 16" 8"x 8" Units



Random Ashlar Pattern 8"x 16" 8"x 8" 4"x 16" 4"x 8" Units

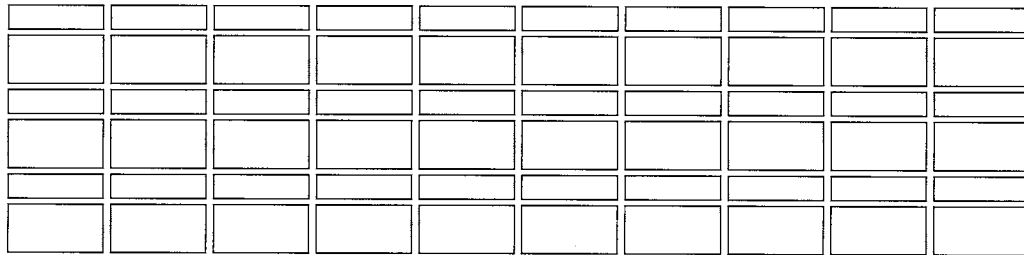


Stack Bond 8"x 16" Units

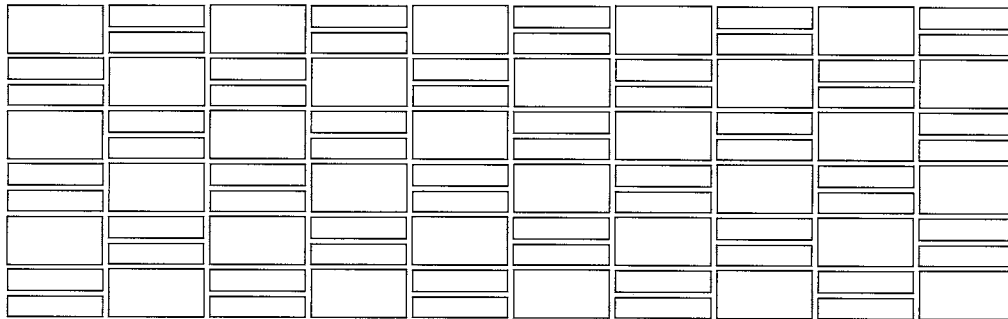


Stack Bond 4"x 16" Units

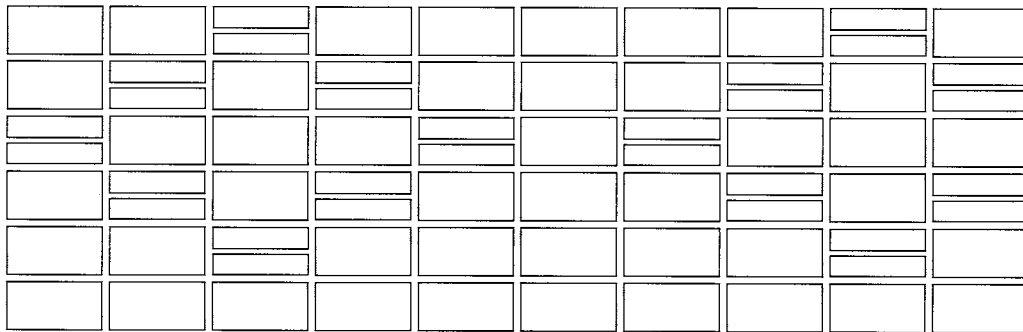
WALL PATTERNS



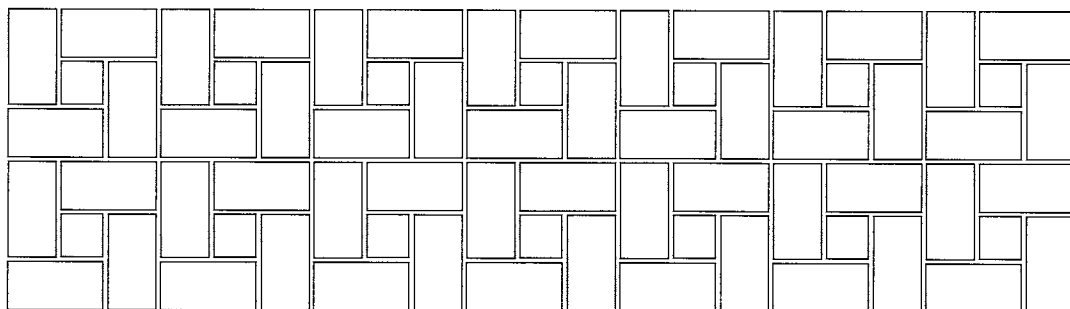
Stack Bond 8"x 16" and 4"x 16" Units



Stack Bond 8"x 16" and 4"x 16" Units



Stack Bond 8"x 16" and 4"x 16" Units



Basket Weave Pattern 8"x 8" and 8"x 16" Units



**SUPERLITE
BLOCK**
An Oldcastle Company

SUPERLITE BLOCK SITE LOCATIONS

Superlite Block Corporate Office

4150 W. Turney, Phoenix, AZ 85019
Phone 602-352-3500
800-366-7877
Fax 602-352-3814

Highland Design Center

4223 W. Highland Ave. Phoenix, AZ 85019
Phone 602-352-3500
Fax 602-352-0101

West Phoenix Order Center

4601 N. 42nd Ave. Phoenix, AZ 85019
Phone 602-352-3888
Fax 602-352-3815

Deer Valley Plant

1639 E. Deer Valley Rd. Phoenix, AZ 85024
Phone 602-352-3819
602-352-3523

Gilbert Plant

301 E. Baseline Rd. Gilbert, AZ 85233
Phone 602-352-3818
602-926-0674

Lone Butte

6741 W. Germann Rd. Chandler, AZ 85226
Phone 602-352-3510
Fax 520-796-5975

Needles

1 Ice Plant Rd. Needles, CA 92363
Phone 760-326-2883
800-465-0212
Fax 760-326-6218